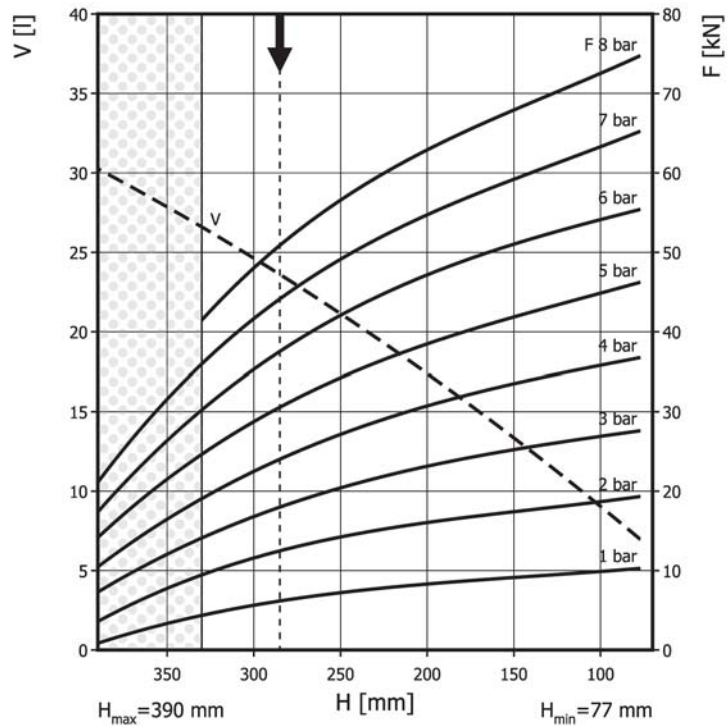
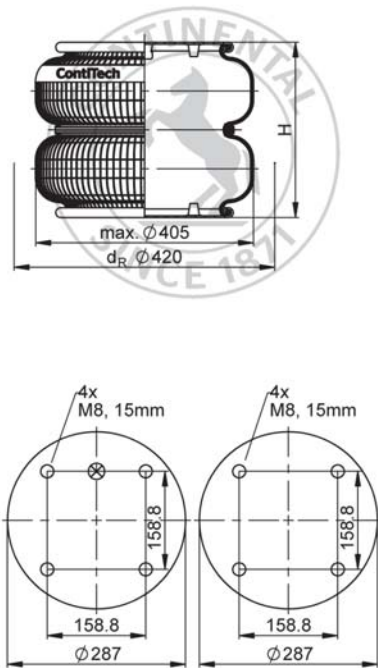


FD 530-35 CI

Double Convolution Air Actuator



Use in dotted range >330 mm only after consultation with ContiTech

Recommended height for vibration isolation: 285 mm

Purchase order data

Type	Order No.
Rubber bellows only	on request
with crimped plates, G1/4 air inlet, 79.4 mm excentrical	65702
with crimped plates, G3/4 air inlet, 79.4 mm excentrical	66763
with crimped plates, G1 air inlet, 79.4 mm excentrical	62104

Additional types on request



Service instructions
M8: max. 25 Nm
G1/4: max. 25 Nm
G1: max. 50 Nm
G3/4: max. 50 Nm

Technical data

Min. pressure	0 bar
Return force to min height	≤ 400 N
Overall weight	7.7 kg

Vibration isolation - dynamic characteristic values

Design height H: recommended 285mm, minimum 265mm

Pressure p [bar]	3	4	5	6	7	8	Vol. V [l]
Force (Load) [kN]	18.7	25.1	31.6	38.2	44.6	51.2	24
Spring rate [N/mm]	177	225	270	318	364	410	
Natural frequency [Hz]	1.5	1.5	1.5	1.4	1.4	1.4	

Pneumatic application - static characteristic values

Force F [kN]

Pressure p [bar]	3	4	5	6	7	8	Vol. V [l]	
Height H [mm]	320	149	20.4	25.9	32	37.6	43.7	26
	280	18.5	24.5	31	38.1	45	51.7	23
	240	21.1	28	35.5	43.3	50.3	57.9	21
	200	23.1	30.7	38.5	47.1	54.8	62.8	18
	160	24.8	33	41.3	50.4	58.4	67.2	14
	120	26.2	34.8	43.4	52.9	61.5	70.5	11