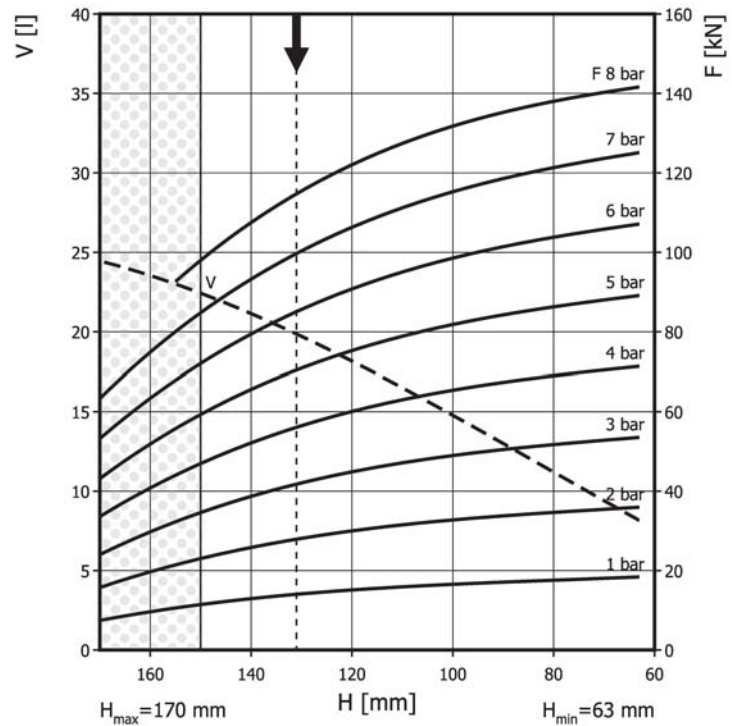
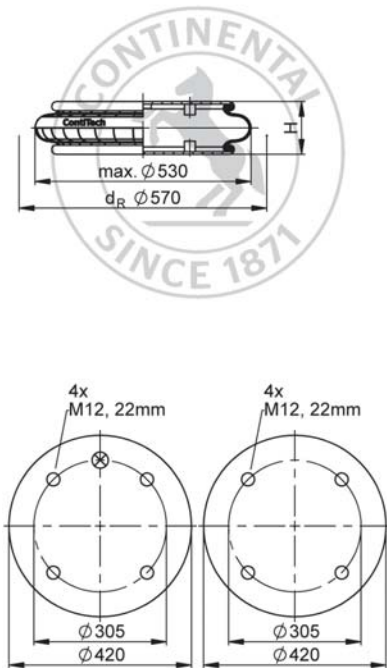


FS 1330-11 CI

Single Convolution Air Actuator



Use in dotted range >150 mm only after consultation with ContiTech



Recommended height for vibration isolation: 131 mm

Purchase order data

Type	Order No.
Rubber bellows only	61778
with crimped plates, G3/4 air inlet 152.5 mm excentrical	69828

Additional types on request


 Service instructions
 M12: max. 75 Nm
 G3/4: max. 50 Nm

Technical data

Min. pressure	0 bar
Return force to min height	≤ 90 N
Overall weight	17 kg

Vibration isolation - dynamic characteristic values

Design height H: recommended 131mm, minimum 111mm

Pressure p [bar]	3	4	5	6	7	8	Vol. V [l]
Force (Load) [kN]	41.7	55.7	69.8	83.9	97.8	110.9	20
Spring rate [N/mm]	820	1043	1258	1473.5	1663.5	1847	
Natural frequency [Hz]	2.2	2.2	2.1	2.1	2.1	2.1	

Pneumatic application - static characteristic values

Force F [kN]

Pressure p [bar]	3	4	5	6	7	8	Vol. V [l]
Height H [mm]	140	38.8	52.3	65.7	79.6	93.5	108
	120	44.8	59.9	75.1	90.6	106	122
	100	49	65.4	81.8	98.5	115	132
	80	51.8	69.1	86.4	104	121	138