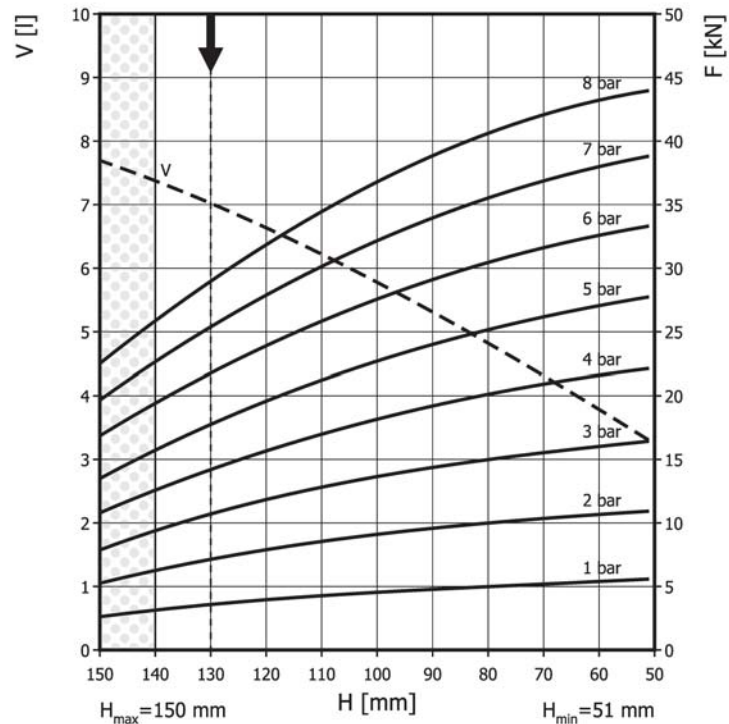
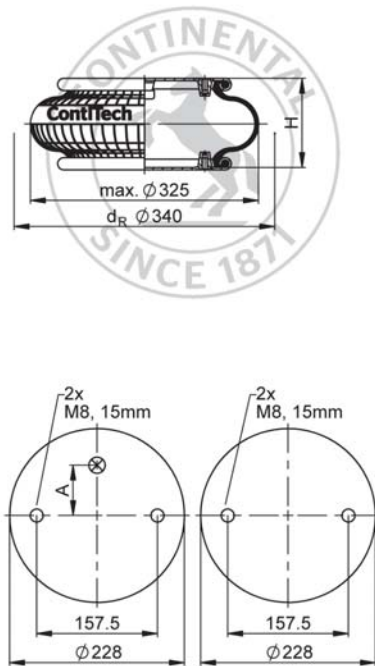


## FS 330-11 CI

## Single Convolution Air Actuator



Use in dotted range &gt;140 mm only after consultation with ContiTech



Recommended height for vibration isolation: 130 mm

## Purchase order data

| Type  | Order No.  |
|---|------------|
| Rubber bellows only   | 72539      |
| with crimped plates, G1/4 air inlet (A) 73 mm excentrical                 | 60424      |
| with crimped plates, G3/4 air inlet (A) 73 mm excentrical                 | 62743      |
| with crimped plates, G1 air inlet (A) 66 mm excentrical                   | 2681060000 |
| with stainless steel crimped plates, G3/4 air inlet (A) 73 mm excentrical | 69583      |

Additional types on request



Service instructions  
 M8: max. 25 Nm  
 G1/4: max. 25 Nm  
 G1: max. 50 Nm  
 G3/4: max. 50 Nm

## Technical data

|                            |         |
|----------------------------|---------|
| Min. pressure              | 0 bar   |
| Return force to min height | ≤ 300 N |
| Overall weight             | 4.1 kg  |

**Vibration isolation - dynamic characteristic values**

Design height H: recommended 130mm, minimum 100mm

| Pressure p [bar]       | 3     | 4    | 5     | 6    | 7     | 8   | Vol. V [l] |   |
|------------------------|-------|------|-------|------|-------|-----|------------|---|
| Force (Load) [kN]      | 10.7  | 14.2 | 17.8  | 21.8 | 25.4  | 29  |            | 7 |
| Spring rate [N/mm]     | 264.5 | 329  | 393.5 | 458  | 522.5 | 587 |            |   |
| Natural frequency [Hz] | 2.5   | 2.4  | 2.4   | 2.3  | 2.3   | 2.3 |            |   |

**Pneumatic application - static characteristic values**

Force F [kN]

| Pressure p [bar] | 3   | 4    | 5    | 6    | 7    | 8    | Vol. V [l] |     |
|------------------|-----|------|------|------|------|------|------------|-----|
| Height H [mm]    | 140 | 9.46 | 12.7 | 15.8 | 19.5 | 22.8 |            | 26  |
|                  | 120 | 11.9 | 15.7 | 19.6 | 23.8 | 27.8 | 31.8       | 6.7 |
|                  | 100 | 13.6 | 18.1 | 22.7 | 27.6 | 32.1 | 36.7       | 5.8 |
|                  | 80  | 15   | 20.1 | 25.2 | 30.4 | 35.5 | 40.6       | 4.8 |
|                  | 60  | 16   | 21.6 | 27.1 | 32.6 | 38   | 43.3       | 3.8 |