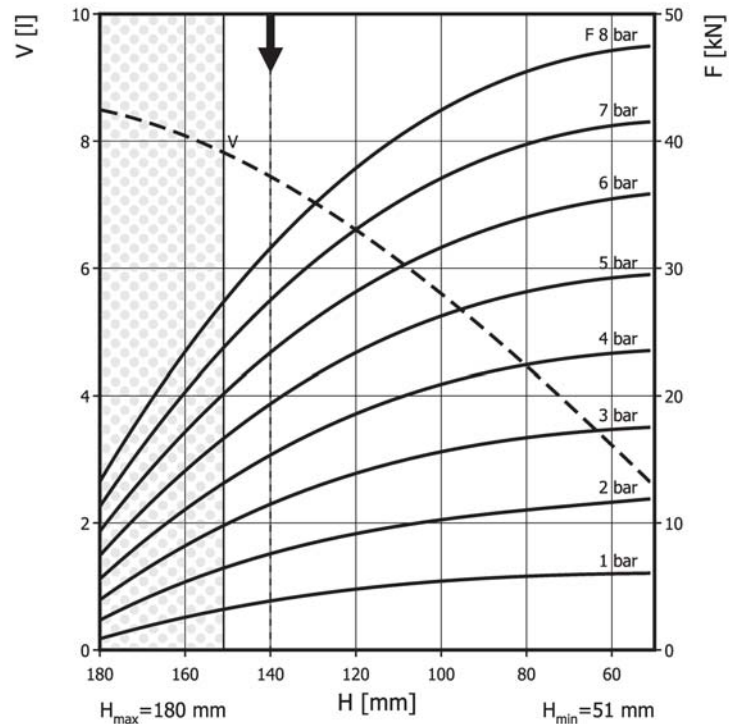
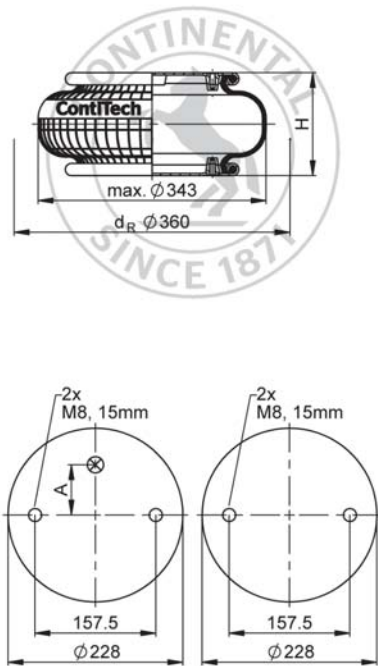


# FS 330-14 CI

# Single Convolution Air Actuator



Use in dotted range >151 mm only after consultation with ContiTech



Recommended height for vibration isolation: 140 mm

### Purchase order data

Type	Order No.
Rubber bellows only	72585
with crimped plates, G1/4 air inlet (A) 73 mm excentrical	61937
with crimped plates and bumper (A) 73 mm excentrical	on request
with crimped plates, G3/4 air inlet (A) 73 mm excentrical	67875
with crimped plates (A) 66 mm excentrical	on request

Additional types on request



Service instructions  
M8: max. 25 Nm  
G1/4: max. 25 Nm  
G3/4: max. 50 Nm

### Technical data

Min. pressure	0 bar
Return force to min height	≤ 300 N
Overall weight	4.3 kg

#### Vibration isolation - dynamic characteristic values

Design height H: recommended 140mm, minimum 120mm

Pressure p [bar]	3	4	5	6	7	8	Vol. V [l]
Force (Load) [kN]	11.6	15.5	19.5	23.4	27.4	31.2	7.4
Spring rate [N/mm]	261	332.2	409.4	486.5	567.8	637.6	
Natural frequency [Hz]	2.4	2.3	2.3	2.3	2.3	2.2	

#### Pneumatic application - static characteristic values

Force F [kN]

Pressure p [bar]	3	4	5	6	7	8	Vol. V [l]
Height H [mm]	151	10	13.3	16.8	20.3	24	27.6
	130	12.6	1.7	21.4	26	30.2	34.8
	110	14.8	19.8	25	30	35.2	40.2
	90	16.2	21.8	27.4	33	38.6	44.2
	70	17.2	23	28.8	34.9	40.6	46.6