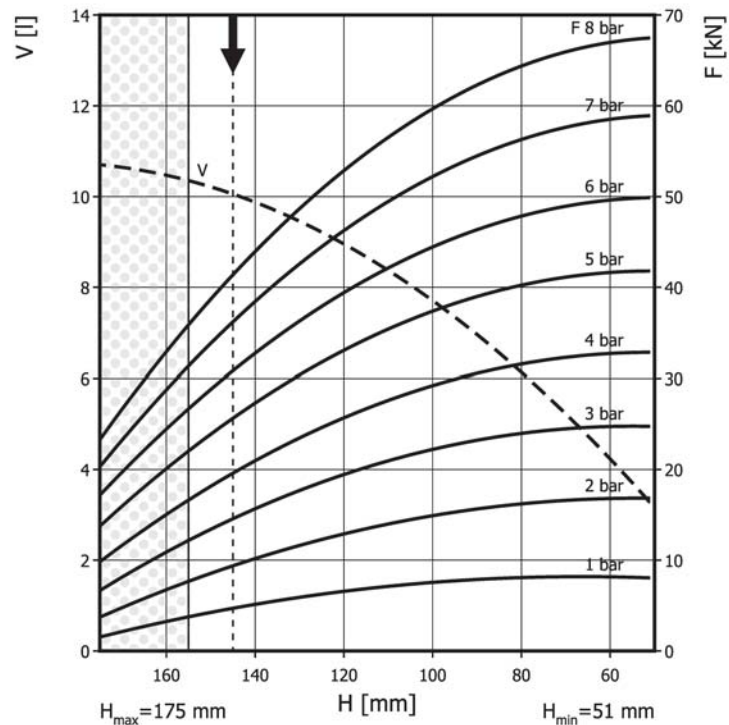
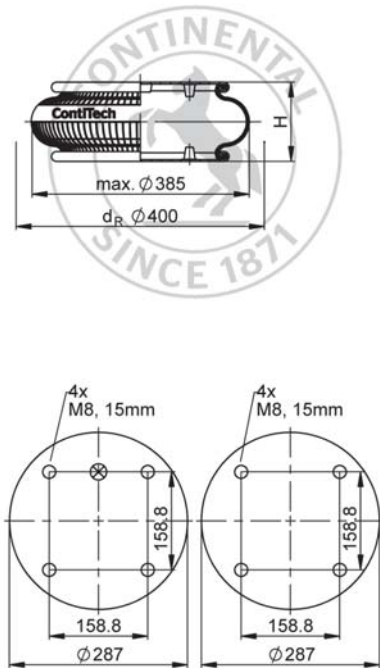


FS 530-11 CI

Single Convolution Air Actuator



Use in dotted range >155 mm only after consultation with ContiTech



Recommended height for vibration isolation: 145 mm

Purchase order data

Type	Order No.
Rubber bellows only	60381
with crimped plates, G1/4 air inlet 79.4 mm excentrical	61359
with crimped plates, G3/4 air inlet 79.4 mm excentrical	63205
with crimped plates, G1 air inlet 79.4 mm excentrical	2681075000
with stainless steel crimped plates, G3/4 air inlet 79.4 mm excentrical	69427

Additional types on request



Service instructions
 M8: max. 25 Nm
 G1/4: max. 25 Nm
 G1: max. 50 Nm
 G3/4: max. 50 Nm

Technical data

Min. pressure	0 bar
Return force to min height	≤ 300 N
Overall weight	5.9 kg

Vibration isolation - dynamic characteristic values

Design height H: recommended 145mm, minimum 110mm

Pressure p [bar]	3	4	5	6	7	8	Vol. V [l]
Force (Load) [kN]	15.2	20.1	26.5	31.6	36.9	42.2	
Spring rate [N/mm]	397	500	608	710	813	915	
Natural frequency [Hz]	2.6	2.5	2.4	2.4	2.3	2.3	

Pneumatic application - static characteristic values

Force F [kN]

Pressure p [bar]	3	4	5	6	7	8	Vol. V [l]	
Height H [mm]	150	14.3	19	25	30	35		40
	130	17.8	23.7	30.5	36.3	42.7	49.1	9.4
	110	20.6	27.4	34.8	41.6	49	56	8.4
	90	22.8	30	38.1	46	53.9	61.6	7.1
	70	24.3	32	41.2	48.8	57.4	65.5	5.3