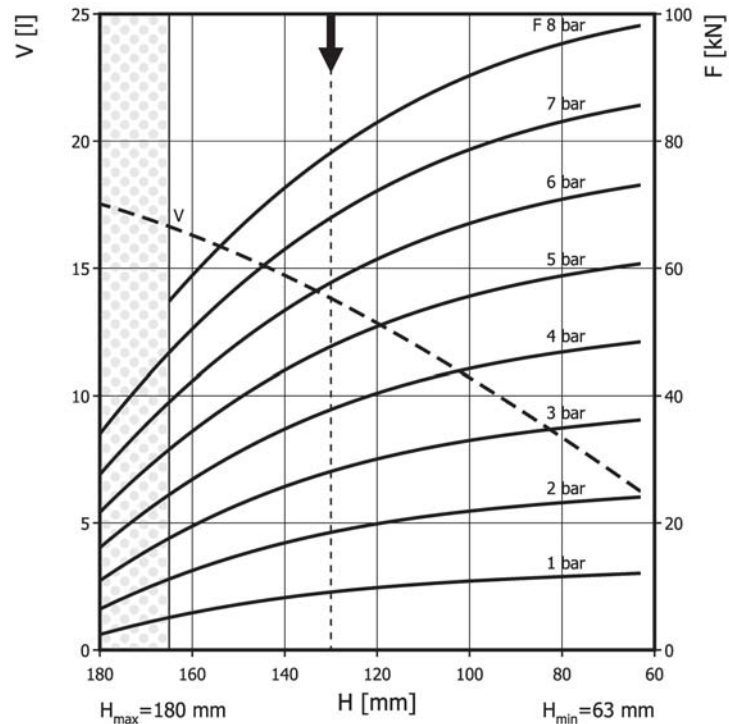
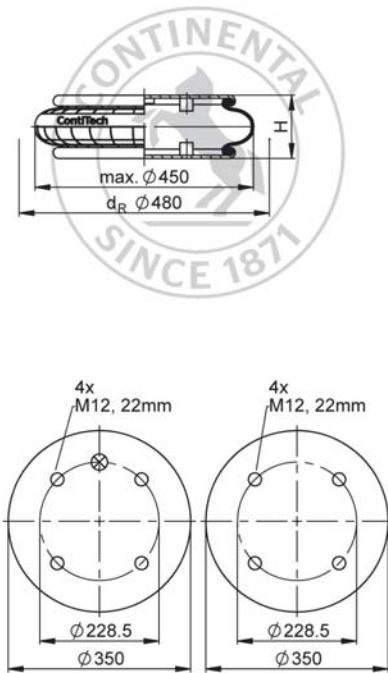


## FS 960-12 CI

## Single Convolution Air Actuator



Use in dotted range &gt;165 mm only after consultation with ContiTech



Recommended height for vibration isolation: 130 mm

## Purchase order data

Type	Order No.
Rubber bellows only	61775
with crimped plates, G3/4 air inlet 114.3 mm excentrical	70085

Additional types on request


 Service instructions  
 M12: max. 75 Nm  
 G3/4: max. 50 Nm

## Technical data

Min. pressure	0 bar
Return force to min height	≤ 50 N
Overall weight	12.5 kg

**Vibration isolation - dynamic characteristic values**

Design height H: recommended 130mm, minimum 115mm

Pressure p [bar]	3	4	5	6	7	8	Vol. V [l]
Force (Load) [kN]	28.6	38.3	47.8	57.5	67.2	76.6	14
Spring rate [N/mm]	581	740.5	891.5	1035	1186	1329.5	
Natural frequency [Hz]	2.3	2.2	2.2	2.1	2.1	2.1	

**Pneumatic application - static characteristic values**

Force F [kN]

Pressure p [bar]	3	4	5	6	7	8	Vol. V [l]
Height H [mm]	160	196	269	345	423	504	58.6
	140	25.7	34.8	44	53.4	63	72.7
	120	30	40.3	50.8	61.3	72.1	82.9
	100	33	44.3	55.6	67.1	78.7	90.3
	80	35	46.9	58.8	70.9	83.1	95.3