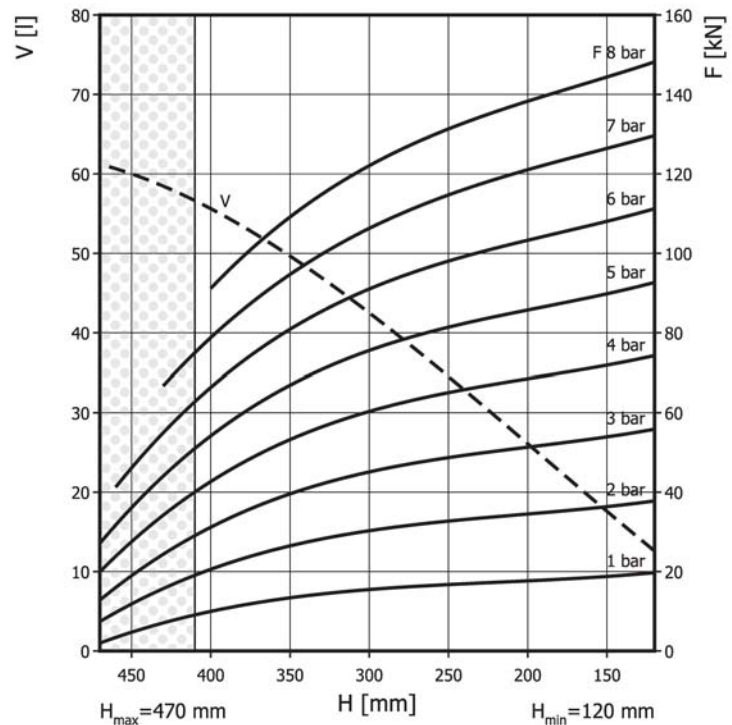
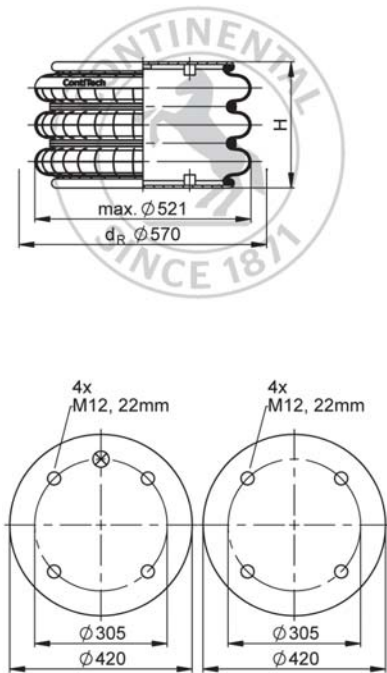


FT 1330-35 CI

Triple Convolution Air Actuator



Use in dotted range >410 mm only after consultation with ContiTech

Purchase order data

Type	Order No.
Rubber bellows only	61780
with crimped plates, G3/4 air inlet 152.5 mm excentrical	69796

Additional types on request



Service instructions
M12: max. 75 Nm
G3/4: max. 50 Nm

Technical data

Min. pressure	0 bar
Return force to min height	≤ 50 N
Overall weight	20.9 kg

Pneumatic application - static characteristic values

Force F [kN]									
Pressure p [bar]		3	4	5	6	7	8	Vol. V [l]	
Height H [mm]	390	33.4	45.4	57.5	70	82.6	95.6	55	
	330	41.7	56	70.3	85.1	99.8	115	47	
	270	47.2	63.1	79	95.3	112	128	38	
	190	52.2	69.6	87	105	122	140	24	