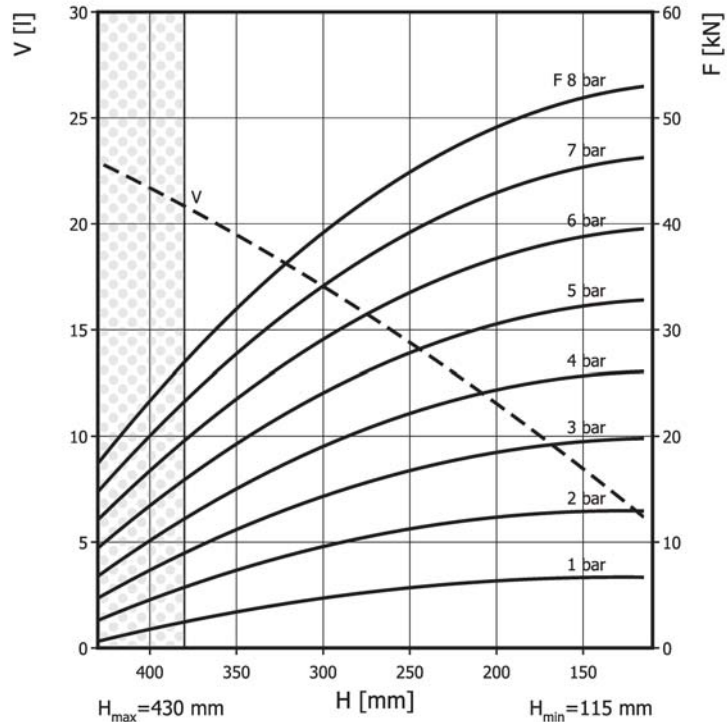
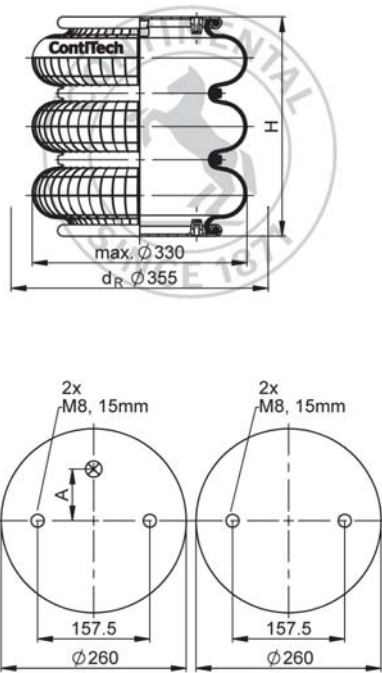


FT 430-32 CI

Triple Convolution Air Actuator



Use in dotted range >380 mm only after consultation with ContiTech

Purchase order data

Type	Order No.
Rubber bellows only	on request
with crimped plates, G1/4 air inlet (A) 73 mm excentrical	on request
with crimped plates, G3/4 air inlet (A) 73 mm excentrical	on request

Additional types on request



Service instructions
 M8: max. 25 Nm
 G1/4: max. 25 Nm
 G3/4: max. 50 Nm

Technical data

Min. pressure	0 bar
Return force to min height	≤ 475 N
Overall weight	6.8 kg

Pneumatic application - static characteristic values

Force F [kN]									
Pressure p [bar]	3	4	5	6	7	8	Vol. V [l]		
Height H [mm]	340	12.1	16.2	20.6	25	29.4	33.8	19	
	300	14.3	19	24.1	29.1	34.1	39.2	17	
	260	16.2	21.5	27.1	32.6	38.2	43.8	15	
	220	17.7	23.4	29.4	35.4	41.4	47.4	13	
	180	18.9	24.8	31.1	37.5	43.8	50.1	10	
	140	19.5	25.7	32.3	38.9	45.5	52.1	7.8	

PHOENIX VIBRATION CONTROLS B.V.

ORDER DIRECTLY? MORE INFORMATION ON THIS PRODUCT OR INTERESTED IN OUR EFFICIENT CUSTOM MADE SOLUTIONS?

CALL +31(0)187 493744 OR SEND AN E-MAIL TO INFO@PHOENIXVC.NL