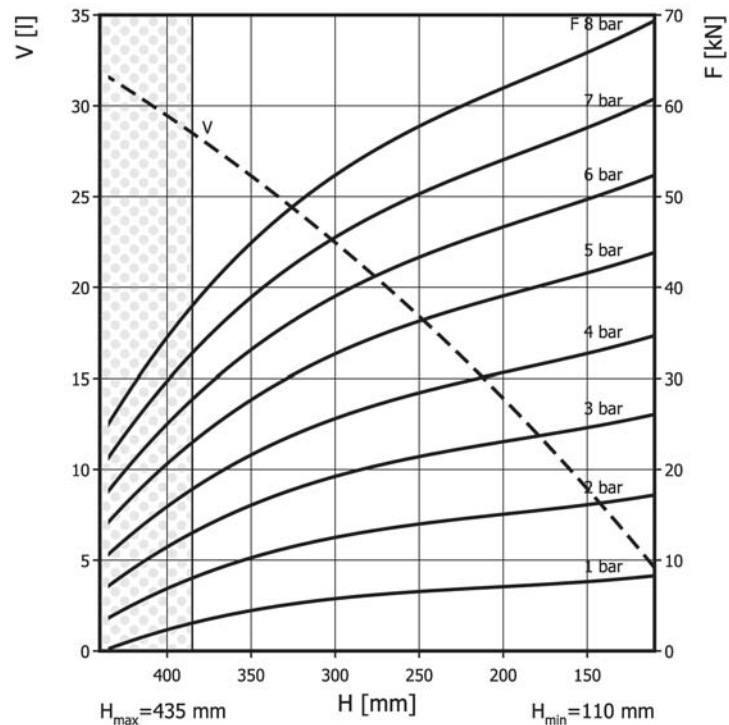
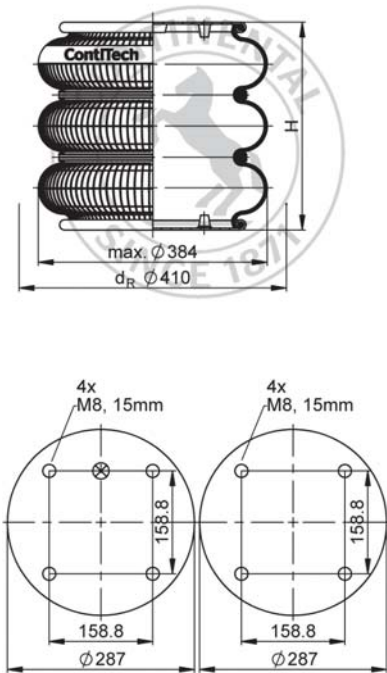


FT 530-32 CI

Triple Convolution Air Actuator



Use in dotted range >385 mm only after consultation with ContiTech

Purchase order data

Type	Order No.
Rubber bellows only	on request
with crimped plates, G1/4 air inlet 79.4 mm excentrical	60717
with crimped plates, G1 air inlet 79.4 mm excentrical	70340
with stainless steel crimped plates, G3/4 air inlet 79.4 mm excentrical	63396

Additional types on request



Service instructions
 M8: max. 25 Nm
 G1/4: max. 25 Nm
 G1: max. 50 Nm
 G3/4: max. 50 Nm

Technical data

Min. pressure	0 bar
Return force to min height	≤ 500 N
Overall weight	8 kg

Pneumatic application - static characteristic values

Force F [kN]

Pressure p [bar]	3	4	5	6	7	8	Vol. V [l]	
Height H [mm]	360	15.4	20.8	26.6	31.9	37.3	43.2	27
	320	18.1	24.1	30.9	37	43	49.5	24
	280	20.2	26.7	34.1	40.8	47.6	54.6	21
	240	21.7	28.9	36.9	44.1	51.1	58.8	18
	200	23.1	30.6	39	46.6	54	62	14
	160	24.4	32.3	41.2	49.1	57	65.1	10
	120	25.7	34.2	43.4	51.7	60	68.5	5.5