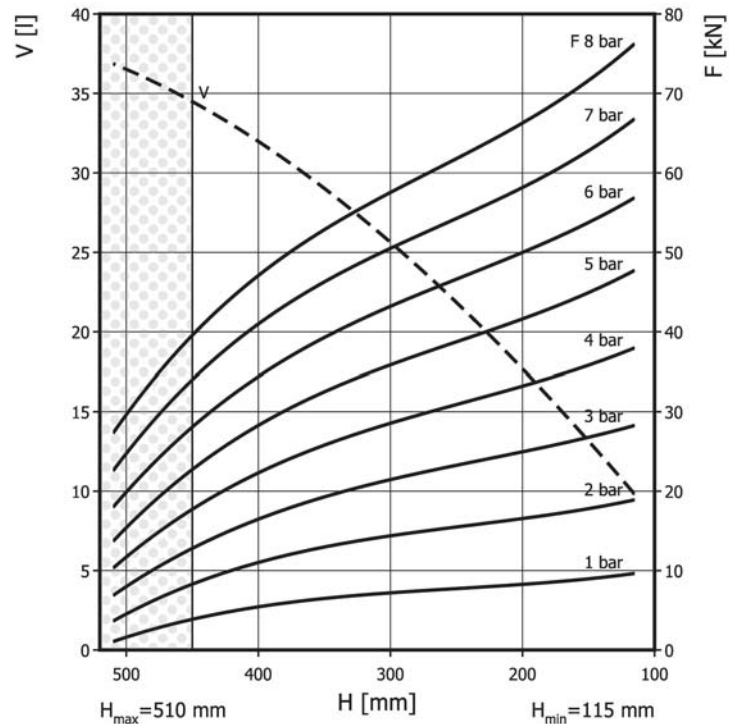
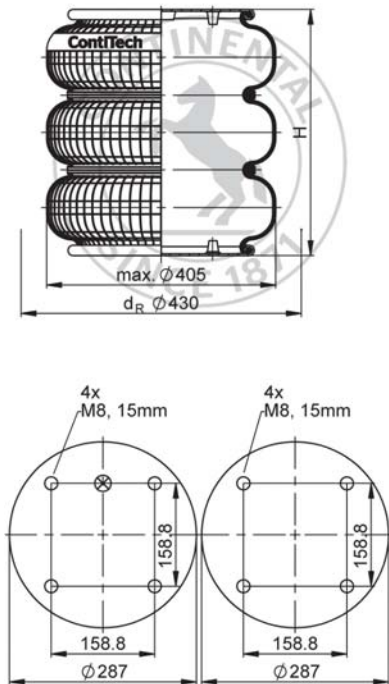


## FT 530-35 CI

## Triple Convolution Air Actuator



Use in dotted range >450 mm only after consultation with ContiTech

## Purchase order data

Type	Order No.
Rubber bellows only	62854
with crimped plates, G1/4 air inlet, 79.4 mm excentrical	61366
with crimped plates, G1 air inlet, 79.4 mm excentrical	61330

Additional types on request



Service instructions  
 M8: max. 25 Nm  
 G1/4: max. 25 Nm  
 G1: max. 50 Nm

## Technical data

Min. pressure	0 bar
Return force to min height	≤ 500 N
Overall weight	9.5 kg

## Pneumatic application - static characteristic values

Force F [kN]

Pressure p [bar]	3	4	5	6	7	8	Vol. V [l]	
Height H [mm]	380	17.7	23.8	30	36.4	42.9	49.1	31
	300	21.3	28.4	36.1	43.4	50.7	58	25
	220	24.3	32.3	40.4	48.5	56.6	64.6	19
	140	27.3	36.3	45.4	54.5	63.4	72	12