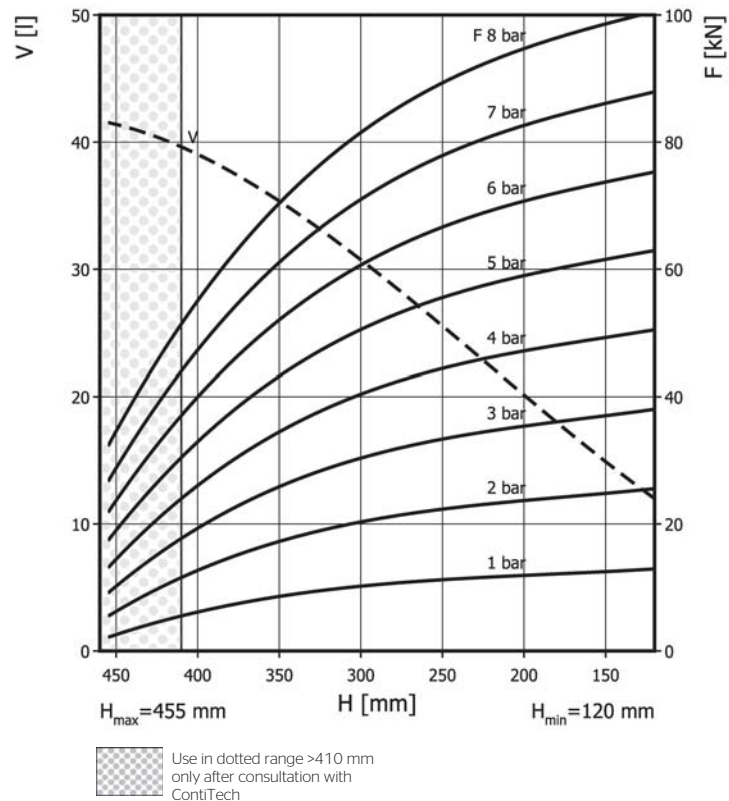
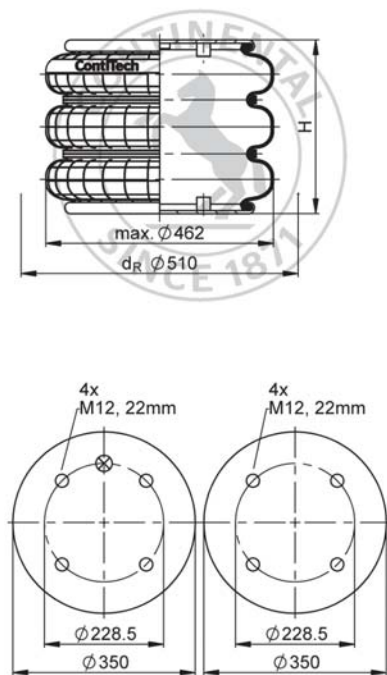


FT 960-34 CI

Triple Convolution Air Actuator



Purchase order data

| | |
|--|-----------|
| Type | Order No. |
| Rubber bellows only | 61777 |
| with crimped plates, G3/4 air inlet 114.3 mm excentrical | 70086 |

Additional types on request


 Service instructions
 M12: max. 75 Nm
 G3/4: max. 50 Nm

Technical data

| | |
|----------------------------|---------|
| Min. pressure | 0 bar |
| Return force to min height | ≤ 175 N |
| Overall weight | 15.7 kg |

Pneumatic application - static characteristic values

Force F [kN]

| Pressure p | [bar] | 3 | 4 | 5 | 6 | 7 | 8 | Vol. V [l] |
|---------------|-------|------|------|------|------|------|------|------------|
| Height H [mm] | 400 | 19.8 | 26.6 | 33.5 | 40.6 | 48 | 55.8 | 39 |
| | 360 | 24.8 | 33.1 | 41.5 | 50 | 58.8 | 67.8 | 36 |
| | 320 | 28.5 | 38 | 47.6 | 57.3 | 67.1 | 77.2 | 33 |
| | 280 | 31.4 | 41.8 | 52.4 | 62.9 | 73.6 | 84.5 | 29 |
| | 240 | 33.8 | 45 | 56.3 | 67.5 | 78.9 | 90.5 | 24 |
| | 200 | 35.6 | 47.3 | 59.1 | 70.8 | 82.8 | 94.8 | 20 |
| | 160 | 37 | 49.2 | 61.4 | 73.6 | 85.9 | 98.4 | 16 |