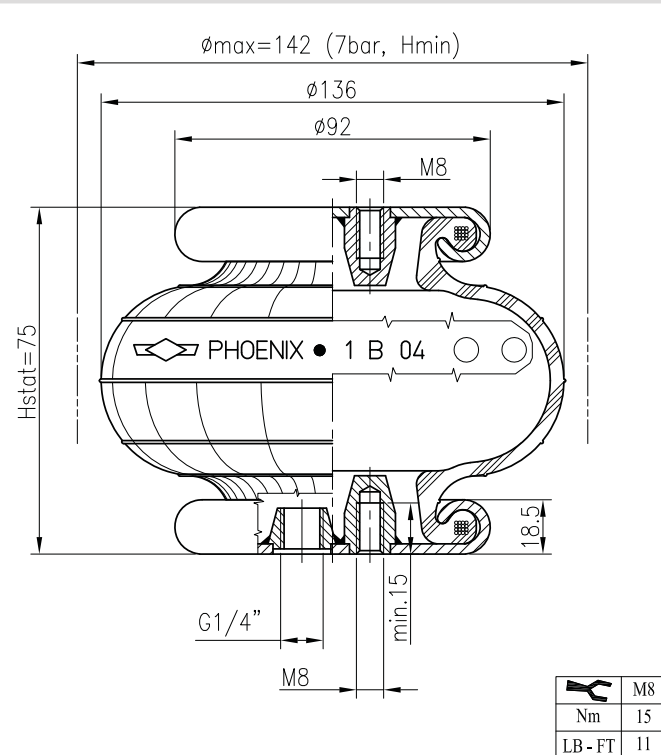
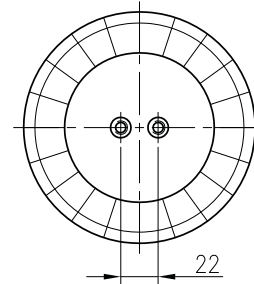


## Product information

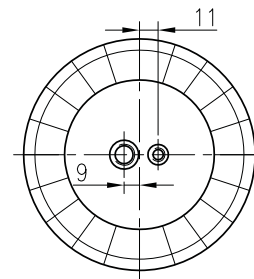
## Cross sectionview



## Top view

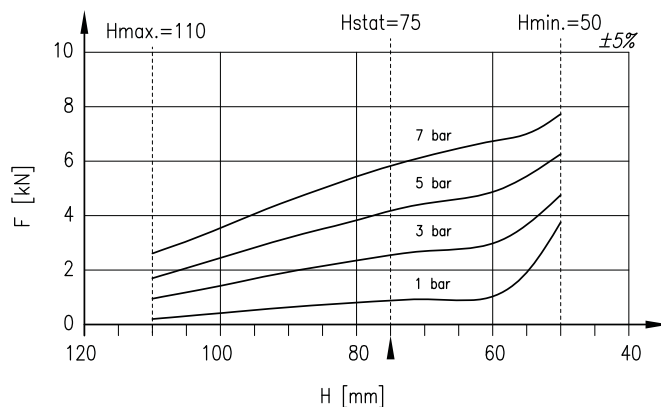


## Bottom view



## Technical data

Loading capacity max. (7 bar)	6.0 kN
Max. lifting pressure	8.0 bar
Diameter max.	142 mm
Required space $\varnothing$	170 mm
Height max.	110 mm
Height min.	50 mm
Weight	0.95 kg
Force to collapse to min. height	



## DYNAMIC DATA

Static height 75 mm

PRESSURE bar	FORCE kN	SPRING RATE N/cm	NATURAL FREQU. Hz
1	0.9	405	3.27
3	2.5	922	3.04
5	4.0	1377	2.93
7	6.0	1719	2.65