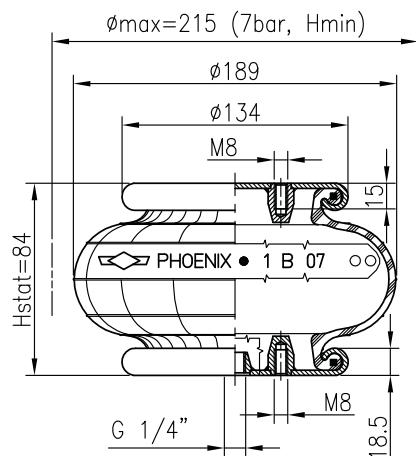



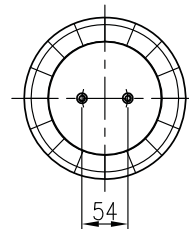
Product information

Cross sectionview

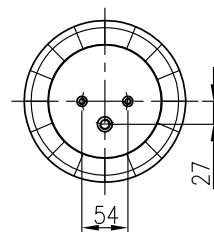


	M8
Nm	15
LB - FT	11

Top view

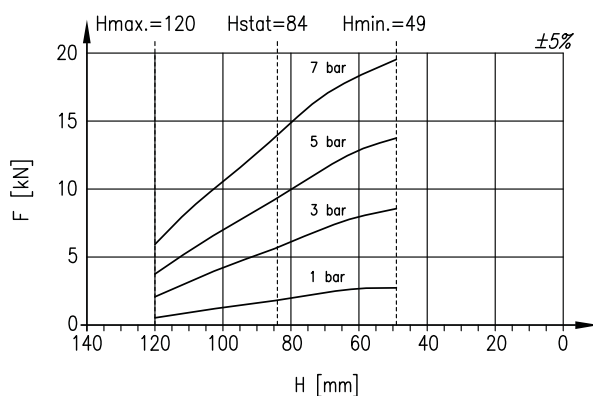


Bottom view



Technical data

Loading capacity max. (7 bar)	13.88 kN
Max. lifting pressure	8.0 bar
Diameter max.	215 mm
Required space \emptyset	230 mm
Height max.	120 mm
Height min.	49 mm
Weight	1.63 kg
Force to collapse to min. height	



DYNAMIC DATA

Static height 84 mm

PRESSURE bar	FORCE kN	SPRING RATE N/cm	NATURAL FREQU. Hz
1	1.5	949	3.95
3	5.8	2203	3.07
5	9.5	3402	2.98
7	13.9	4751	2.91