

AIRSPRING

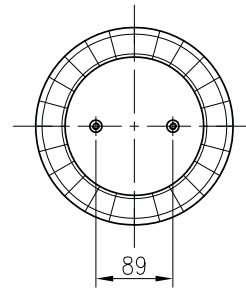
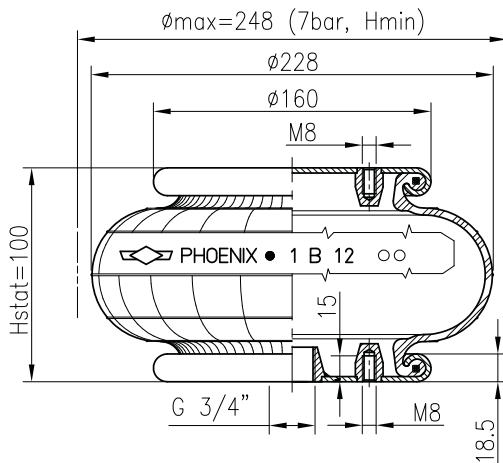
SP 1 B 12-1

PHOENIX

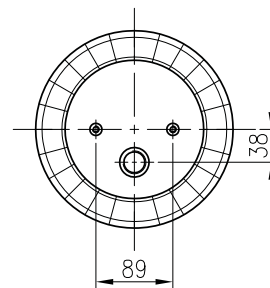
Product information

Cross sectionview

Top view



Bottom view



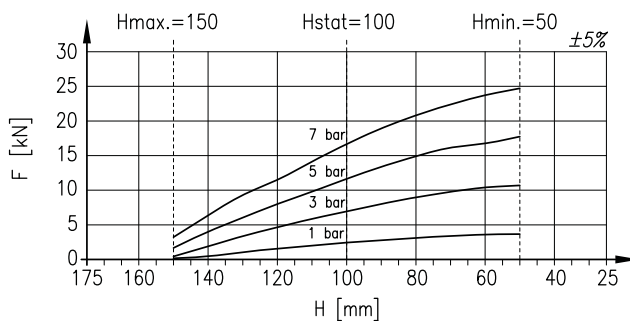
	M8
Nm	15
LB - FT	11

Technical data

Loading capacity max. (7 bar)	17.30 kN
Max. lifting pressure	8.0 bar
Diameter max.	248 mm
Required space ϕ	270 mm
Height max.	150 mm
Height min.	50 mm
Weight	2.63 kg
Force to collapse to min. height	

DYNAMIC DATA

Static height 100 mm



PRESSURE bar	FORCE kN	SPRING RATE N/cm	NATURAL FREQU. Hz
1	2.2	977	3.28
3	7.0	2296	2.84
5	12.0	3667	2.75
7	17.3	5026	2.68

PHOENIX
PHOENIX VIBRATION CONTROLS B.V.

ORDER DIRECTLY? MORE INFORMATION ON THIS PRODUCT OR INTERESTED IN OUR EFFICIENT CUSTOM MADE SOLUTIONS?

CALL +31(0)187 493744 OR SEND AN E-MAIL TO INFO@PHOENIXVC.NL