

AIRSPRING

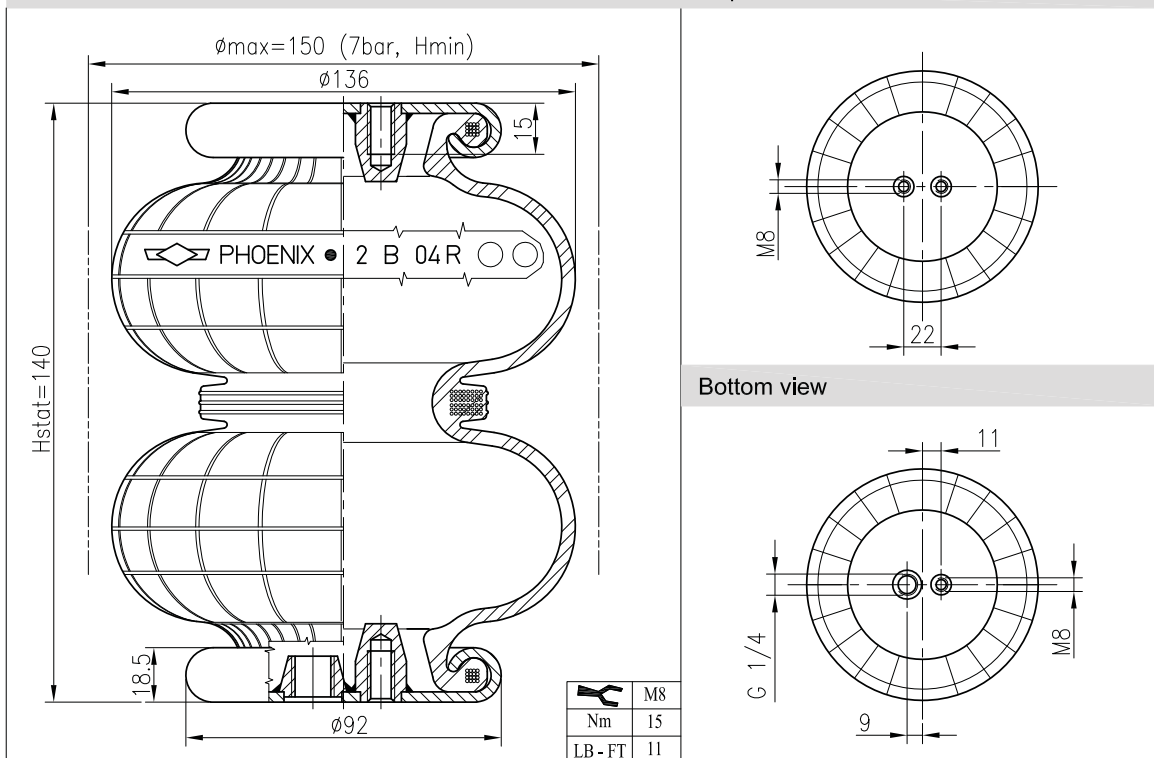
SP 2 B 04 R

PHOENIX

Product information

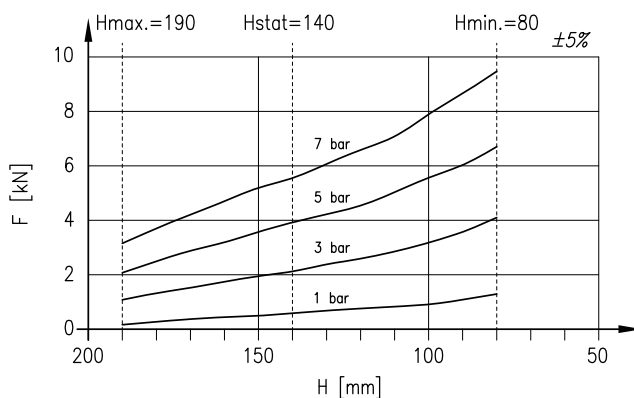
Cross sectionview

Top view



Technical data

Loading capacity max. (7 bar)	5.4 kN
Max. lifting pressure	8.0 bar
Diameter max.	150 mm
Required space Ø	175 mm
Height max.	190 mm
Height min.	80 mm
Weight	1.15 kg
Force to collapse to min. height	



DYNAMIC DATA

Static height 140 mm

PRESSURE bar	FORCE kN	SPRING RATE N/cm	NATURAL FREQU. Hz
1	0.6	234	3.22
3	2.3	485	2.29
5	4.0	757	2.15
7	5.4	1029	2.17

PHOENIX
PHOENIX VIBRATION CONTROLS B.V.

ORDER DIRECTLY? MORE INFORMATION ON THIS PRODUCT OR INTERESTED IN OUR EFFICIENT CUSTOM MADE SOLUTIONS?

CALL +31(0)187 493744 OR SEND AN E-MAIL TO INFO@PHOENIXVC.NL