

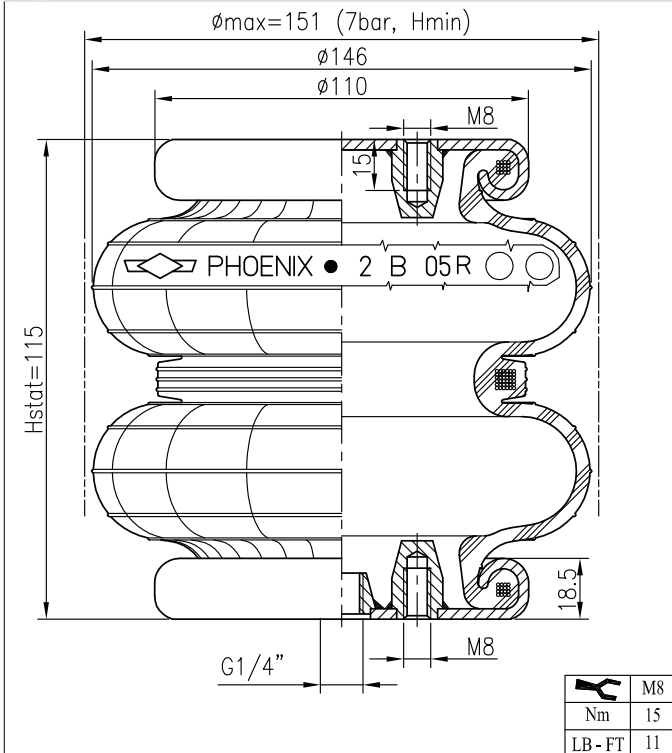
AIRSPRING

SP 2 B 05 R

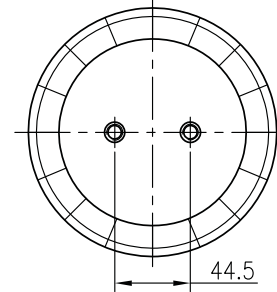
PHOENIX

Product information

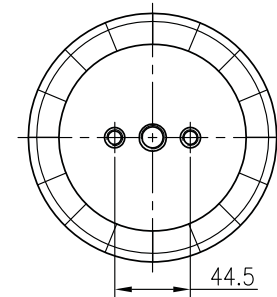
Cross sectionview



Top view



Bottom view

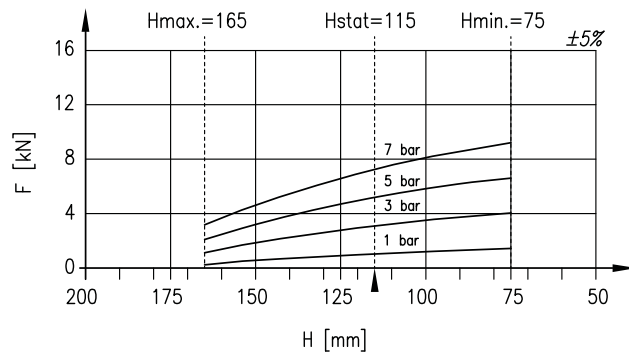


Technical data

Loading capacity max. (7 bar)	7.2 kN
Max. lifting pressure	8.0 bar
Diameter max.	151 mm
Required space ϕ	180 mm
Height max.	165 mm
Height min.	75 mm
Weight	1.48 kg
Force to collapse to min. height	

DYNAMIC DATA

Static height 115 mm



PRESSURE bar	FORCE kN	SPRING RATE N/cm	NATURAL FREQU. Hz
1	1.0	364	2.97
3	3.1	813	2.56
5	5.1	1228	2.44
7	7.2	1662	2.39

PHOENIX
PHOENIX VIBRATION CONTROLS B.V.

ORDER DIRECTLY? MORE INFORMATION ON THIS PRODUCT OR INTERESTED IN OUR EFFICIENT CUSTOM MADE SOLUTIONS?

CALL +31(0)187 493744 OR SEND AN E-MAIL TO INFO@PHOENIXVC.NL