

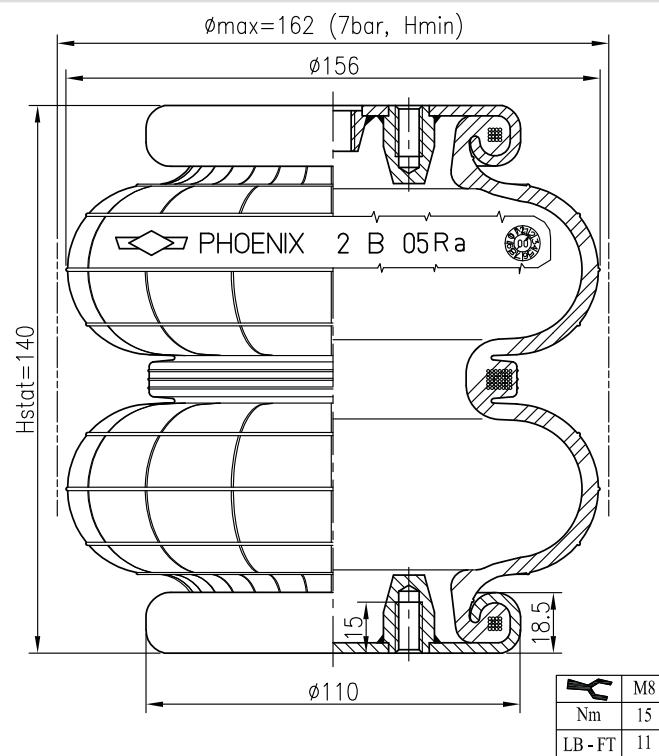
AIRSPRING

# SP 2 B 05 Ra

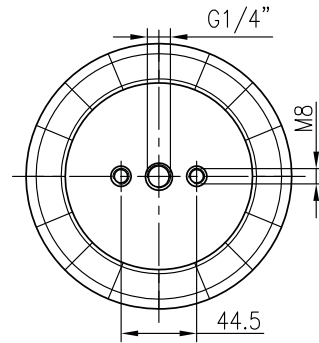
**PHOENIX**

Product information

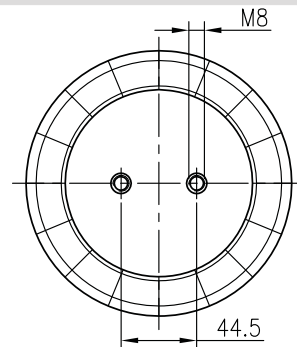
Cross sectionview



Top view



Bottom view

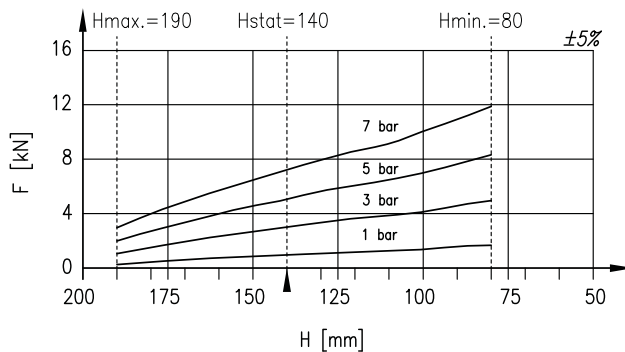


Technical data

|                                  |         |
|----------------------------------|---------|
| Loading capacity max. (7 bar)    | 7.3 kN  |
| Max. lifting pressure            | 8.0 bar |
| Diameter max.                    | 162 mm  |
| Required space $\emptyset$       | 190 mm  |
| Height max.                      | 190 mm  |
| Height min.                      | 80 mm   |
| Weight                           | 1.80 kg |
| Force to collapse to min. height |         |

## DYNAMIC DATA

Static height 140 mm



| PRESSURE bar | FORCE kN | SPRING RATE N/cm | NATURAL FREQU. Hz |
|--------------|----------|------------------|-------------------|
| 1            | 0.8      | 220              | 2.67              |
| 3            | 3.0      | 525              | 2.07              |
| 5            | 5.1      | 785              | 1.94              |
| 7            | 7.3      | 1087             | 1.92              |

**PHOENIX**  
PHOENIX VIBRATION CONTROLS B.V.

ORDER DIRECTLY? MORE INFORMATION ON THIS PRODUCT OR INTERESTED IN OUR EFFICIENT CUSTOM MADE SOLUTIONS?

CALL +31(0)187 493744 OR SEND AN E-MAIL TO [INFO@PHOENIXVC.NL](mailto:INFO@PHOENIXVC.NL)