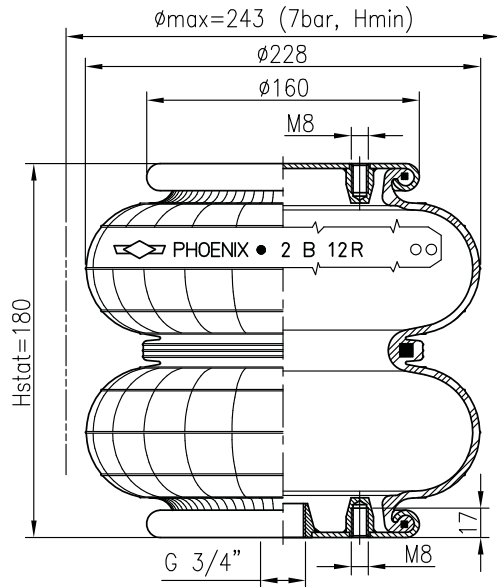


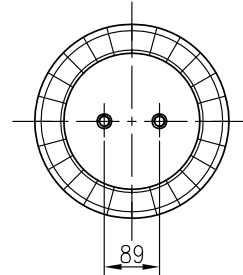
## Product information

## Cross sectionview

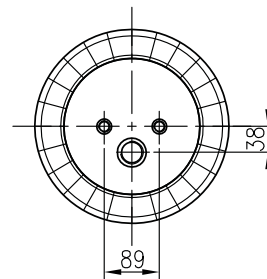


	M8
Nm	15
LB - FT	11

## Top view



## Bottom view

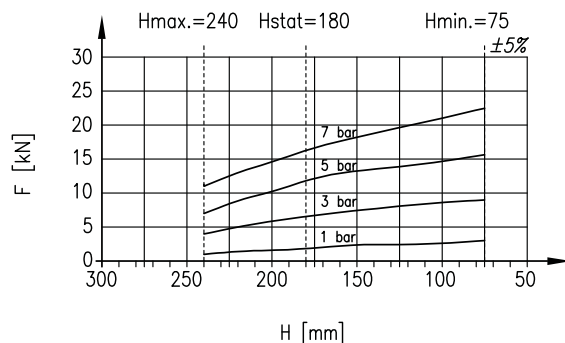


## Technical data

Loading capacity max. (7 bar)	15.90 kN
Max. lifting pressure	8.0 bar
Diameter max.	243 mm
Required space Ø	270 mm
Height max.	240 mm
Height min.	75 mm
Weight	2.95 kg
Force to collapse to min. height	

## DYNAMIC DATA

Static height 180 mm



PRESSURE bar	FORCE kN	SPRING RATE N/cm	NATURAL FREQU. Hz
1	2.1	447	2.27
3	6.6	951	1.88
5	11.2	1486	1.80
7	15.9	1964	1.75