

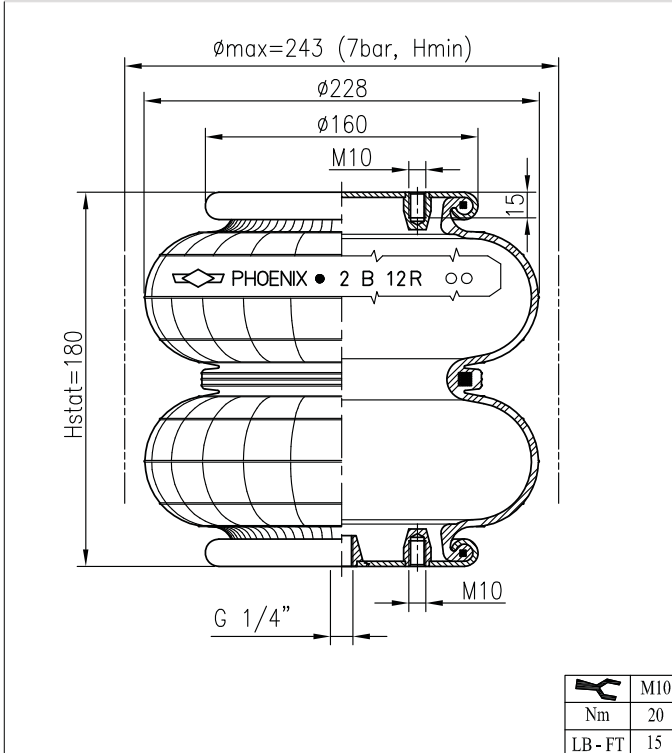
AIRSPRING

# SP 2B12R

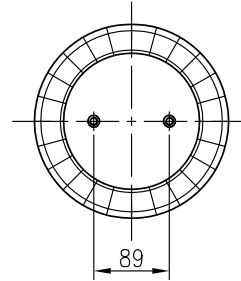
**PHOENIX**

Product information

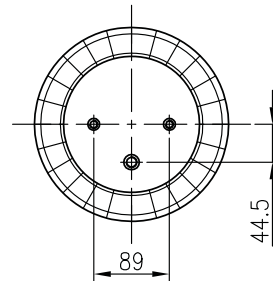
Cross sectionview



Top view



Bottom view

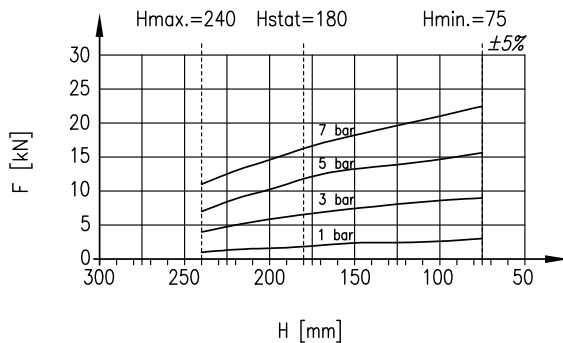


Technical data

Loading capacity max. (7 bar)	15.90 kN
Max. lifting pressure	8.0 bar
Diameter max.	243 mm
Required space $\varnothing$	270 mm
Height max.	240 mm
Height min.	75 mm
Weight	2.90 kg
Force to collapse to min. height	

## DYNAMIC DATA

Static height 180 mm



PRESSURE bar	FORCE kN	SPRING RATE N/cm	NATURAL FREQU. Hz
1	2.1	447	2.27
3	6.6	951	1.88
5	11.2	1486	1.80
7	15.9	1964	1.75

**PHOENIX**  
PHOENIX VIBRATION CONTROLS B.V.

ORDER DIRECTLY? MORE INFORMATION ON THIS PRODUCT OR INTERESTED IN OUR EFFICIENT CUSTOM MADE SOLUTIONS?

CALL +31(0)187 493744 OR SEND AN E-MAIL TO [INFO@PHOENIXVC.NL](mailto:INFO@PHOENIXVC.NL)