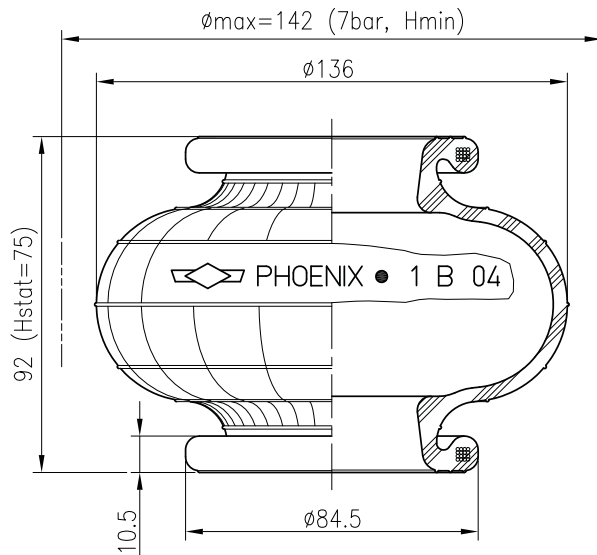


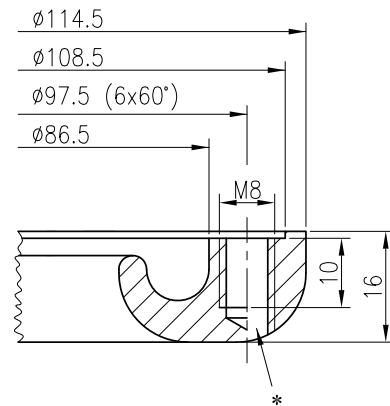
Product information

Cross-section view



Bead ring

Bead rings are not included.



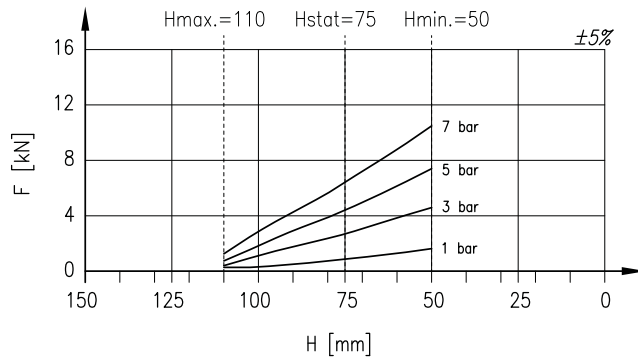
*Continuous thread is allowed, if the screw doesn't protrude the bead-ring.

Technical data

Loading capacity max.	6.0 kN
Max. lifting pressure	8.0 bar
Diameter max.	142 mm
Required space \varnothing	170 mm
Height max.	110 mm
Height min.	50 mm
Weight	0.24 kg
Force to collapse to min. height	

DYNAMIC DATA

Static height 75 mm



PRESSURE bar	FORCE kN	SPRING RATE N/cm	NATURAL FREQU. Hz
1	0.9	405	3.27
3	2.5	922	3.04
5	4.0	1377	2.93
7	6.0	1719	2.65