

AIRSPRING 1 B 07

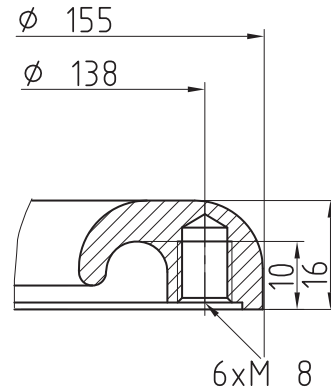
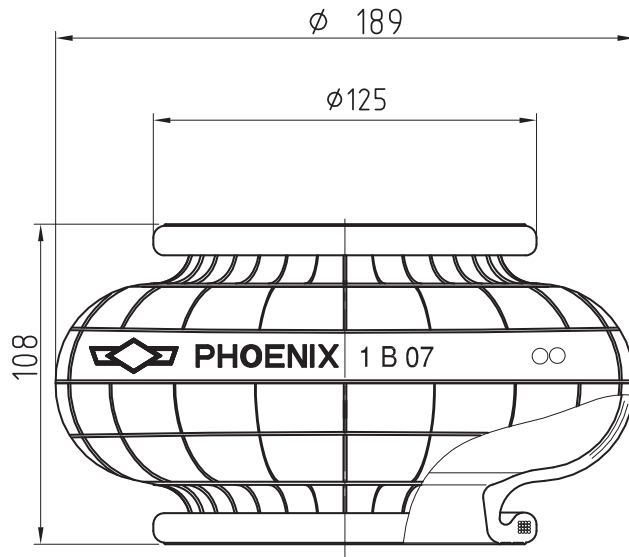
PHOENIX

Product information

Product Form

Bead ring

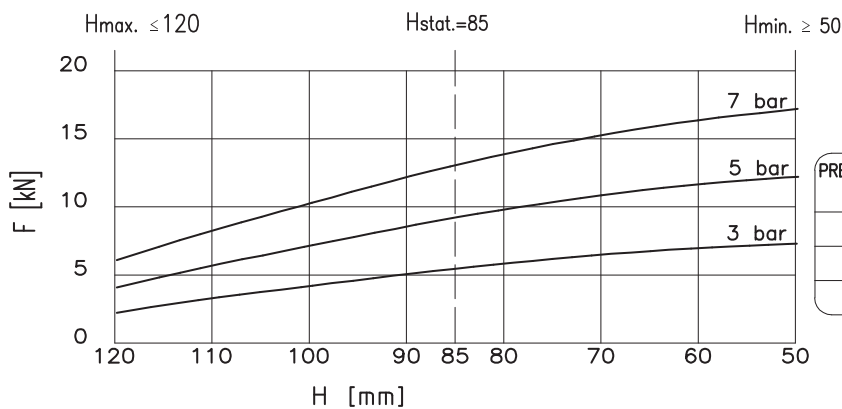
Bead rings are not included.



	M8
Nm	40
LB - FT	29

Technical data

Loading capacity max.(7 bar)	13.1	kN
Max. lifting pressure	8.0	bar
Diameter max.	215	mm
Required space Ø	230	mm
Height max.	120	mm
Height min.	50	mm
Recommended assembly height	85	mm
Weight	0.41	kg



DYNAMIC DATA Static height 85mm

PRESSURE bar	FORCE kN	SPRING RATE N/cm	NATURAL FREQU. Hz
3	5.6	1850	2.9
5	9.2	2880	2.8
7	13.1	3920	2.7

PHOENIX
PHOENIX VIBRATION CONTROLS B.V.

ORDER DIRECTLY? MORE INFORMATION ON THIS PRODUCT OR INTERESTED IN OUR EFFICIENT CUSTOM MADE SOLUTIONS?

CALL +31(0)187 493744 OR SEND AN E-MAIL TO INFO@PHOENIXCV.NL