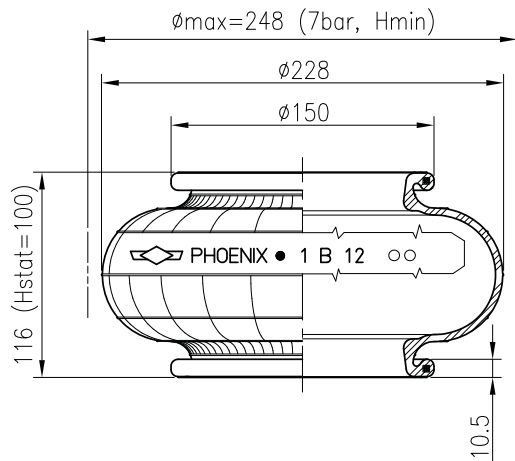


AIRSPRING 1 B 12

PHOENIX

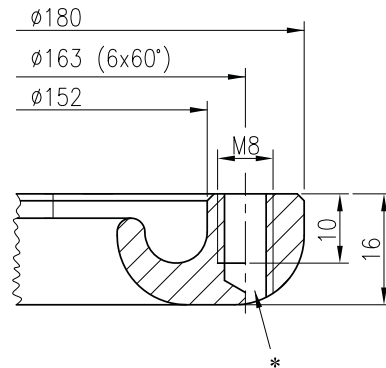
Product information

Cross-section view



Bead ring

Bead rings are not included.



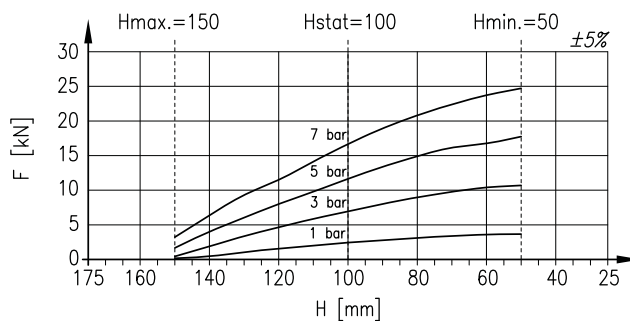
*Continuous thread is allowed, if the screw doesn't protrude the bead-ring.

Technical data

| | |
|----------------------------------|----------|
| Loading capacity max. | 17.30 kN |
| Max. lifting pressure | 8.0 bar |
| Diameter max. | 248 mm |
| Required space ϕ | 270 mm |
| Height max. | 150 mm |
| Height min. | 50 mm |
| Weight | 0.74 kg |
| Force to collapse to min. height | |

DYNAMIC DATA

Static height 100 mm



| PRESSURE bar | FORCE kN | SPRING RATE N/cm | NATURAL FREQU. Hz |
|-----------------|-------------|------------------------|-------------------------|
| 1 | 2.2 | 977 | 3.28 |
| 3 | 7.0 | 2296 | 2.84 |
| 5 | 12.0 | 3667 | 2.75 |
| 7 | 17.3 | 5026 | 2.68 |

PHOENIX
PHOENIX VIBRATION CONTROLS B.V.

ORDER DIRECTLY? MORE INFORMATION ON THIS PRODUCT OR
INTERESTED IN OUR EFFICIENT CUSTOM MADE SOLUTIONS?

CALL +31(0)187 493744 OR SEND AN E-MAIL TO INFO@PHOENIXVC.NL