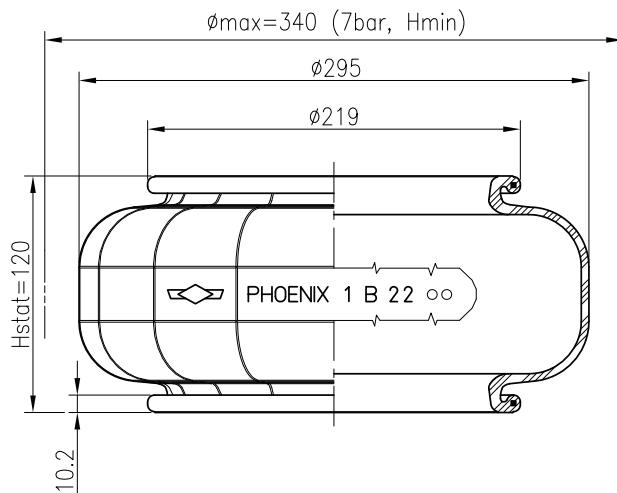


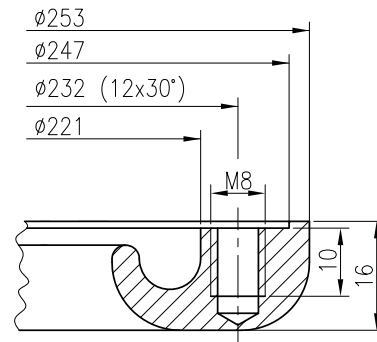
## Product information

## Cross sectionview



## Bead ring

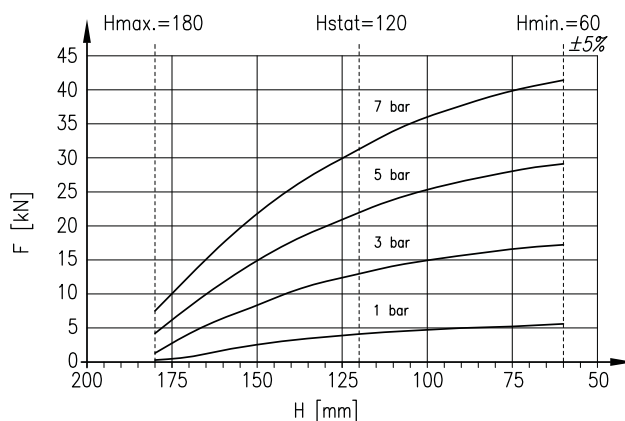
Bead ring are not included.



## Technical data

Loading capacity max. (7 bar)	31.22 kN
Max. lifting pressure	8.0 bar
Diameter max.	340 mm
Required space $\varnothing$	380 mm
Height max.	180 mm
Height min.	60 mm
Weight	1.30 kg

Force to collapse to min. height



## DYNAMIC DATA

Static height 120 mm

PRESSURE bar	FORCE kN	SPRING RATE N/cm	NATURAL FREQU. Hz
1	3.9	1232	2.77
3	12.7	2898	2.35
5	21.9	4582	2.26
7	31.2	6201	2.20