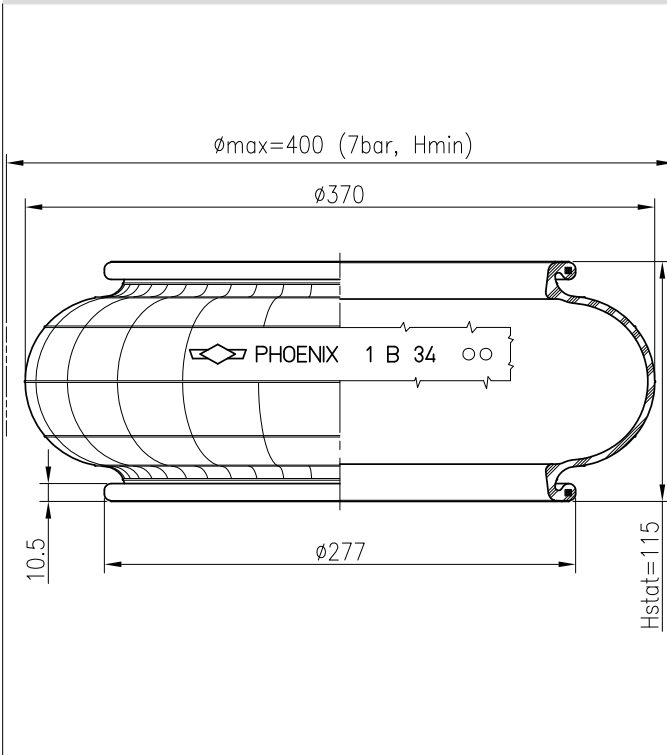


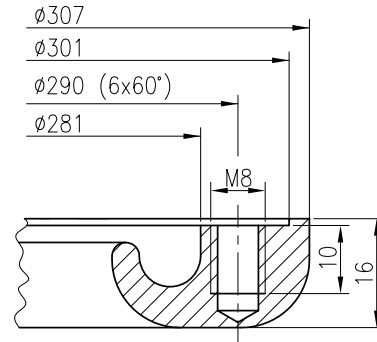
## Product information

## Cross sectionview



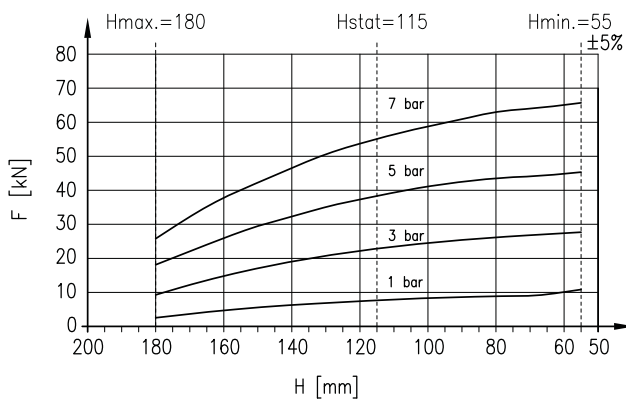
## Bead ring

Bead ring are not included.



## Technical data

Loading capacity max. (7 bar)	54.14 kN
Max. lifting pressure	8.0 bar
Diameter max.	400 mm
Required space $\emptyset$	435 mm
Height max.	180 mm
Height min.	55 mm
Weight	1.27 kg
Force to collapse to min. height	



## DYNAMIC DATA

Static height 115 mm

PRESSURE bar	FORCE kN	SPRING RATE N/cm	NATURAL FREQU. Hz
1	7.6	2116	2.62
3	22.5	4574	2.24
5	37.4	7020	2.15
7	54.1	9555	2.09