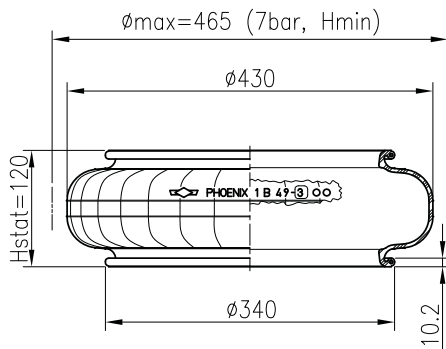


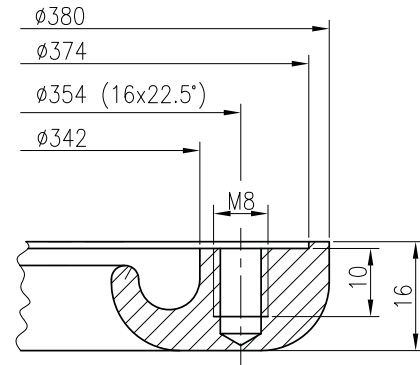
Product information

Cross sectionview



Bead ring

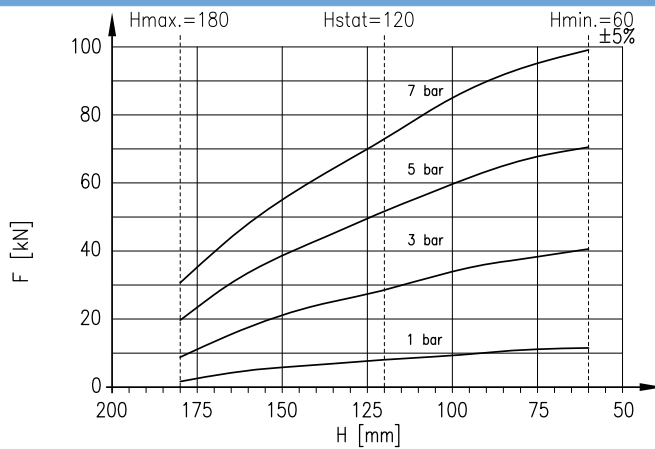
Bead ring are not included.



Technical data

Loading capacity max. (7 bar)	72.62 kN
Max. lifting pressure	8.0 bar
Diameter max.	465 mm
Required space \emptyset	490 mm
Height max.	180 mm
Height min.	60 mm
Weight	2.05 kg

Force to collapse to min. height



DYNAMIC DATA

Static height 120 mm

PRESSURE bar	FORCE kN	SPRING RATE N/cm	NATURAL FREQU. Hz
1	8.1	3587	3.30
3	29.2	8363	2.66
5	51.3	13338	2.54
6	72.6	18084	2.46