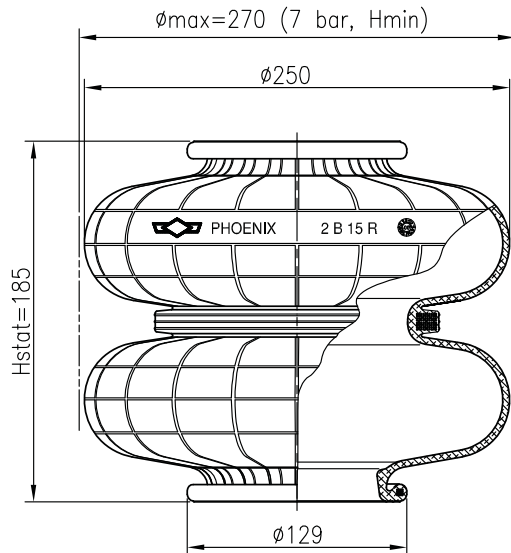


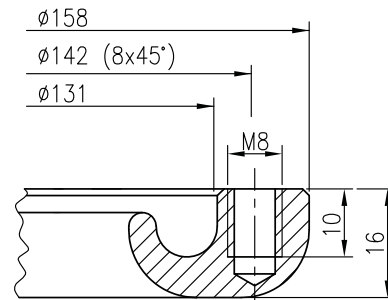
## Product information

## Cross sectionview



## Bead ring

Bead ring are not included.

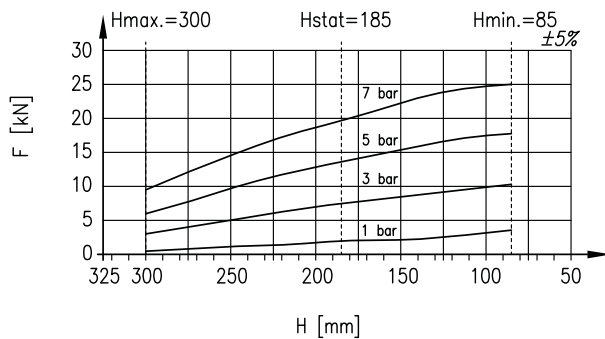


## Technical data

Loading capacity max. (7 bar)	19.40 kN
Max. lifting pressure	8.0 bar
Diameter max.	270 mm
Required space $\phi$	295 mm
Height max.	300 mm
Height min.	85 mm
Weight	1.45 kg
Force to collapse to min. height	

## DYNAMIC DATA

Static height 185 mm



PRESSURE bar	FORCE kN	SPRING RATE N/cm	NATURAL FREQU. Hz
1	2.3	456	2.22
3	7.4	1005	1.83
5	14.2	1672	1.71
7	19.4	2248	1.69