

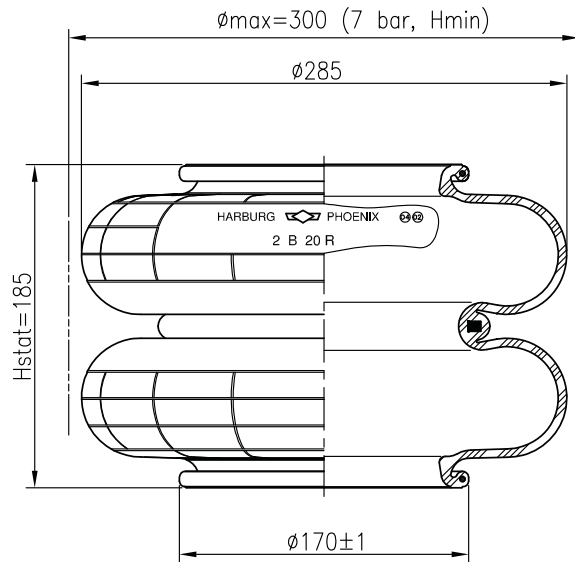
AIRSPRING

2 B 20 R

PHOENIX

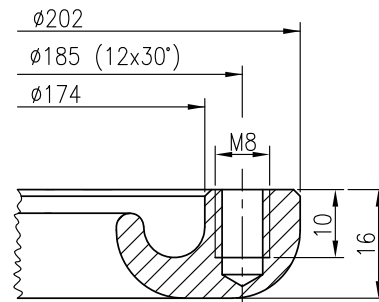
## Product information

## Cross sectionview



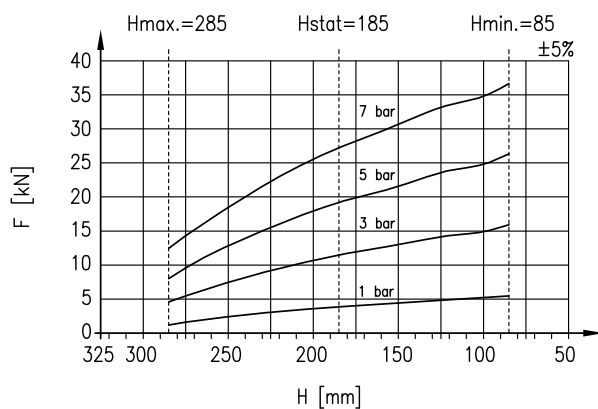
## Bead ring

Bead ring are not included.



## Technical data

Loading capacity max. (7 bar)	27.00 kN
Max. lifting pressure	8.0 bar
Diameter max.	300 mm
Required space $\varnothing$	335 mm
Height max.	285 mm
Height min.	85 mm
Weight	1.81 kg
Force to collapse to min. height	



## DYNAMIC DATA

Static height 185 mm

PRESSURE bar	FORCE kN	SPRING RATE N/cm	NATURAL FREQU. Hz
1	4.0	651	1.99
3	10.6	1451	1.84
5	19.7	2231	1.67
7	27.0	2978	1.65

**PHOENIX**  
PHOENIX VIBRATION CONTROLS B.V.

ORDER DIRECTLY? MORE INFORMATION ON THIS PRODUCT OR INTERESTED IN OUR EFFICIENT CUSTOM MADE SOLUTIONS?

CALL +31(0)187 493744 OR SEND AN E-MAIL TO [INFO@PHOENIXVC.NL](mailto:INFO@PHOENIXVC.NL)