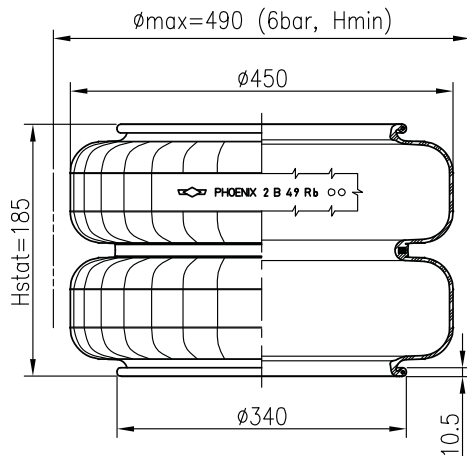


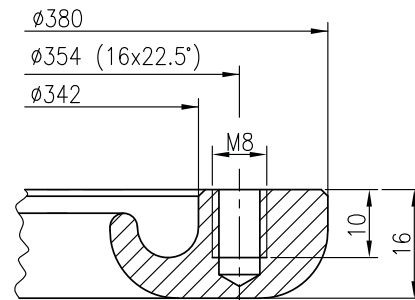
Product information

Cross sectionview



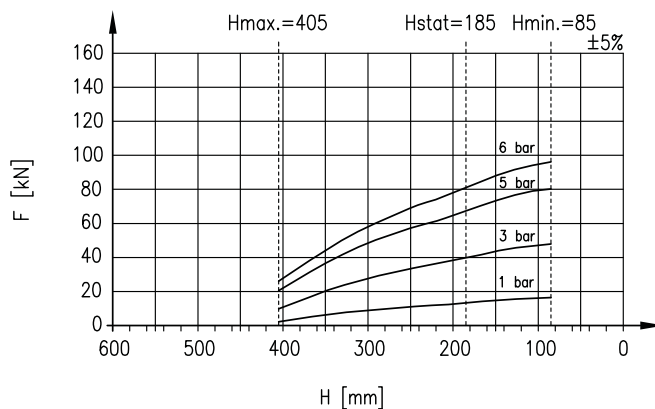
Bead ring

Bead ring are not included.



Technical data

| | |
|----------------------------------|----------|
| Loading capacity max. (6 bar) | 81.80 kN |
| Max. lifting pressure | 8.0 bar |
| Diameter max. | 490 mm |
| Required space \varnothing | 520 mm |
| Height max. | 405 mm |
| Height min. | 85 mm |
| Weight | 4.35 kg |
| Force to collapse to min. height | |



DYNAMIC DATA

Static height 185 mm

| PRESSURE bar | FORCE kN | SPRING RATE N/cm | NATURAL FREQU. Hz |
|-----------------|-------------|------------------------|-------------------------|
| 1 | 13.3 | 2509 | 2.16 |
| 3 | 38.1 | 5342 | 1.86 |
| 5 | 66.9 | 8229 | 1.74 |
| 6 | 81.8 | 9697 | 1.71 |