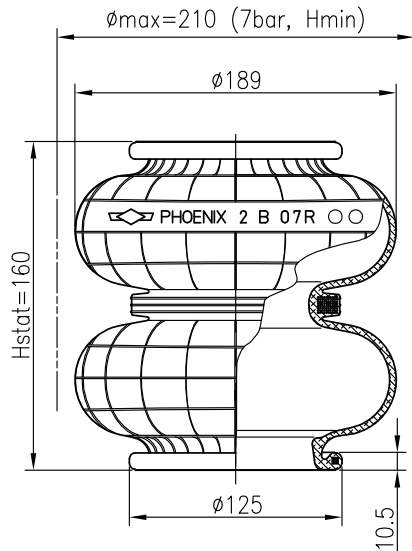


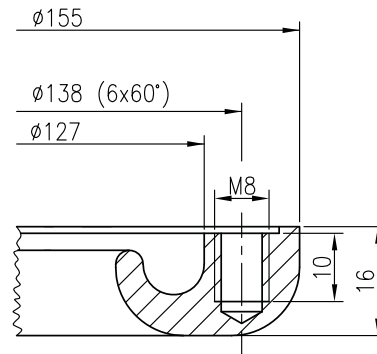
Product information

Cross sectionview



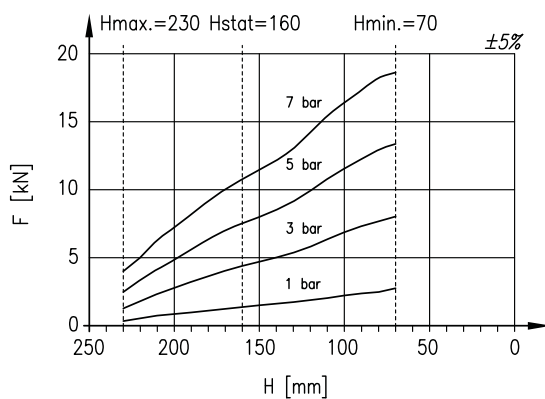
Bead ring

Bead ring are not included.



Technical data

Loading capacity max. (7 bar)	10.8 kN
Max. lifting pressure	8.0 bar
Diameter max.	210 mm
Required space ϕ	240 mm
Height max.	230 mm
Height min.	70 mm
Weight	0.83 kg
Force to collapse to min. height	



DYNAMIC DATA

Static height 160 mm

PRESSURE bar	FORCE kN	SPRING RATE N/cm	NATURAL FREQU. Hz
1	1.2	297	2.50
3	4.3	773	2.10
5	7.4	1250	2.04
7	10.8	1716	1.99