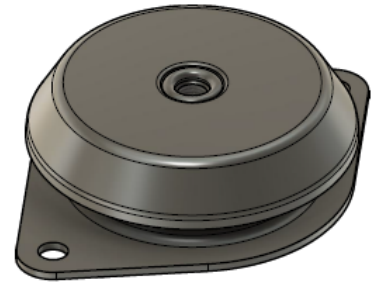


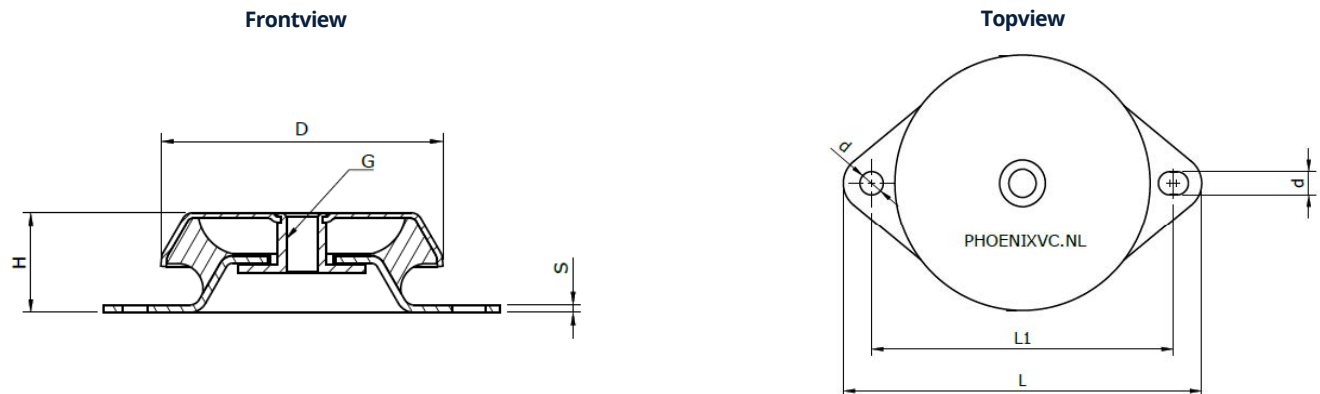
## EH Machine Mount with tear-off protection

786242S1



- ✓ Max. load  $F_z$  1800 N
- ✓ Spring stiffness 450 N/mm

### Installation Dimensions



### Technical Specifications

Type	Dimensions							Max. tightening torque
	D (mm)	L1 (mm)	L (mm)	H (mm)	d (mm)	s (mm)	G (mm)	Nm
786242S1	84	110	135	35,5	11	2,5	M10	40

Spring Stiffness (N/mm)	Max. Load (N)
$C_z \pm 20\%$	$F_z$
450	1800

### Static Stiffness and Natural Frequency Curves

