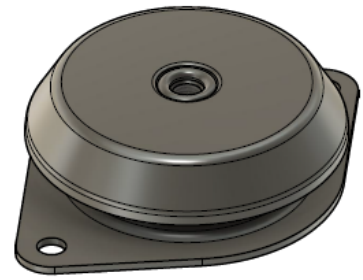


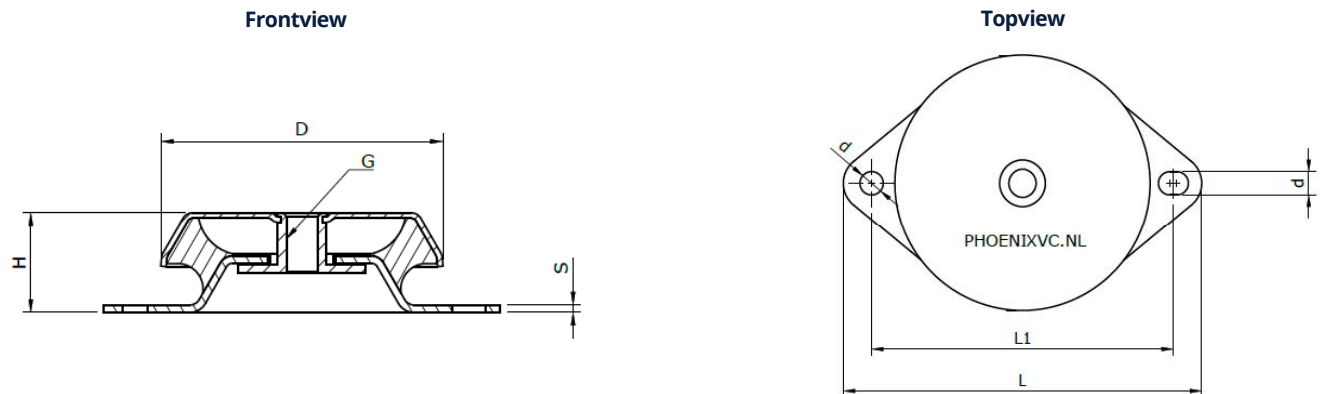
EH Machine Mount with tear-off protection

786245S1H



- ✓ Max. load F_z 4000 N
- ✓ Spring stiffness 650 N/mm

Installation Dimensions



Technical Specifications

Type	Dimensions								Max. tightening torque
	D (mm)	L1 (mm)	L (mm)	H (mm)	d (mm)	s (mm)	G (mm)	Nm	
786245S1H	110	144	176	42	14	3,5	Ø17	n.a.	

Spring Stiffness (N/mm)	Max. Load (N)
$C_z \pm 20\%$	F_z
650	4000

Static Stiffness and Natural Frequency Curves

