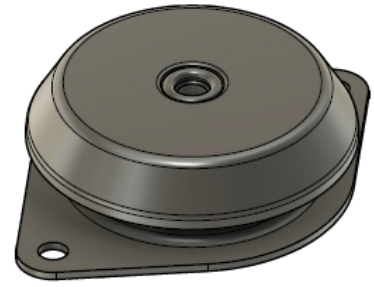


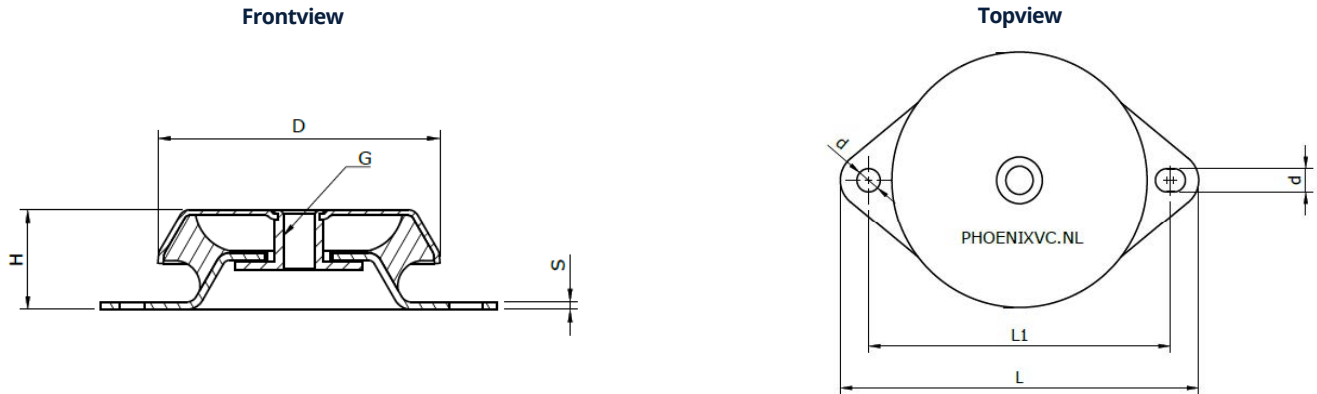
EH Machine Mount with tear-off protection

786246S1



- ✓ Max. load F_z 8000 N
- ✓ Spring stiffness 800 N/mm

Installation Dimensions



Technical Specifications

Type	Dimensions								Max. tightening torque
	D (mm)	L1 (mm)	L (mm)	H (mm)	d (mm)	s (mm)	G (mm)	Nm	
786246S1	154	182	216	54	14	4	M16	170	

Spring Stiffness (N/mm)	Max. Load (N)
$C_z \pm 20\%$	F_z
800	8000

Static Stiffness and Natural Frequency Curves

