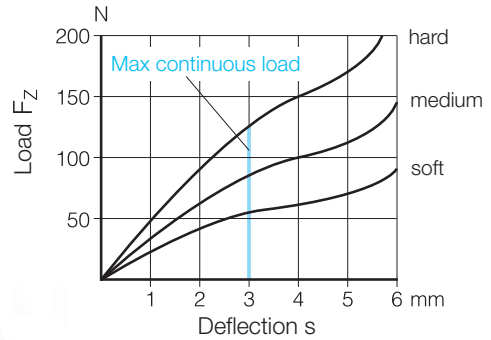
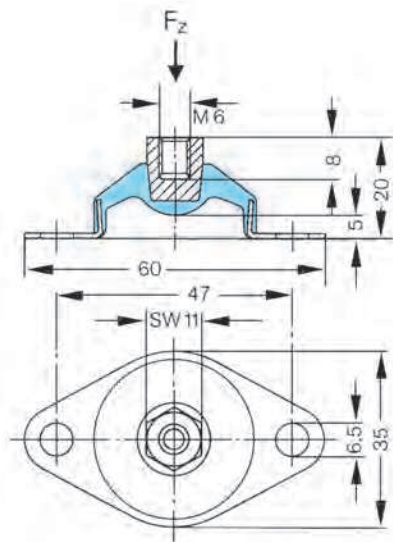


MEGI® Bearings

Megi bearing
Part No. 786 028

Versions:
hard, medium, soft

This rubber metal bearing can be used advantageously for flexible mounting of instruments, laboratory scales, etc. This bearing offers soft vertical suspension with sufficient rigidity in the horizontal direction.



Other dimensions and materials are available on request