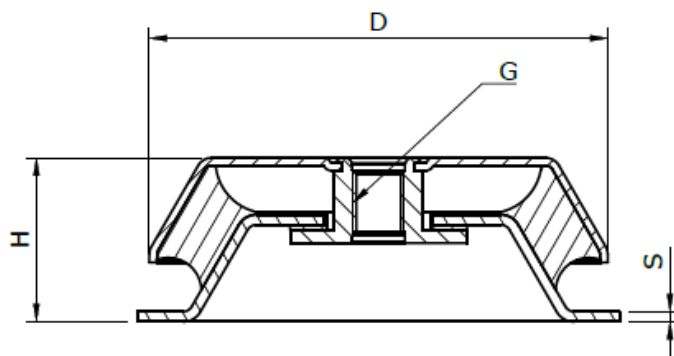


MACHINE MOUNTS with tear off protection

Technical Specifications										
Type	Spring Stiffness (N/mm)	Max. Continuous Loads (N)	Dimensions							Max. tightening torque
	C_z	F_z	D (mm)	L1 (mm)	L (mm)	H (mm)	d (mm)	s (mm)	G (mm)	M_{anz} [Nm]
786237	1200	9000	161	140	170	58	14	4	M20	350
786237S1	2200	16000	161	140	170	58	14	4	M20	350
786238	1600	13000	181	160	190	64,5	14	4	M20	350
786238S1	2200	21000	181	160	190	64,5	14	4	M20	350

Frontview



Topview

