

**ROTAFRIX®**

# Friction Wheels

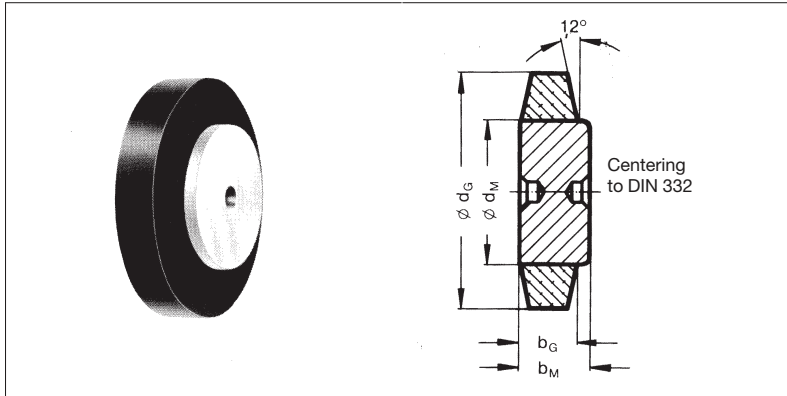


Fig.1

ROTAFRIX®friction wheel standard finish

Range (dimensions in mm)						
Mould No.	Item number	Designation	Friction Lining Dimensions		Metal Hub Dimensions	
			External $\varnothing$ $d_G$	Width $b_G$	External $\varnothing$ $d_M$	Width $b_M$
31674	4000004399	40/10- 25	40	10	25	13
31675	4000004400	45/11- 28	45	11	28	14
31555	4000004369	50/12- 32	50	12	32	16
31676	4000004401	56/14- 35	56	14	35	18
31605	4000004370	63/16- 40	63	16	40	20
31677	4000004402	71/18- 45	71	18	45	22
31606	4000004371	80/20- 50	80	20	50	25
31678	4000004403	90/22- 55	90	22	55	27
31642	4000004372	100/25- 65	100	25	65	30
31643	4000004373	112/28- 70	112	28	70	33
31644	4000004374	125/32- 80	125	32	80	37
31645	4000004375	140/36- 90	140	36	90	41
31679	4000004404	160/40-100	160	40	100	45