

ROTAFRIX®

Guide Pulleys

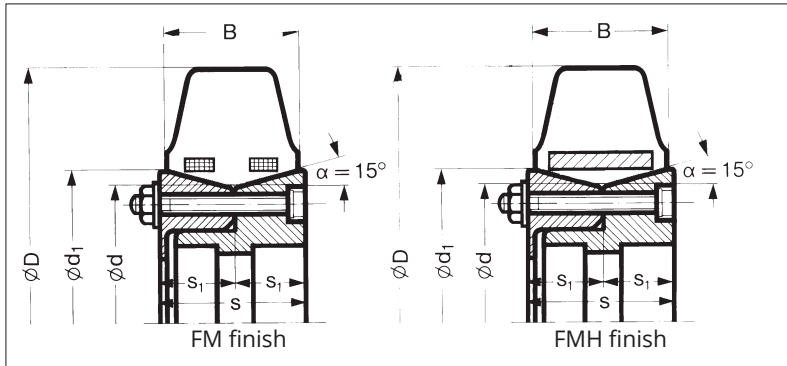


Fig. 5

ROTAFRIX® guide rollers with hubs

Guide Roller Product Range and Hub Dimensions (dimensions in mm)

Item number	Designation D/B-d	Finish	Hub Dimensions				
			d	d ₁ ¹⁾	S _{min}	a	S ₁ ¹⁾
3998732000	300/75-220 k	FM	220	240.9	78	15°	39.0
3998932000	300/75-220 k	FMH	220	240.9	78	15°	39.0

¹⁾ Diameter d₁ is calculated from angle a and hub width S₁. Width S₁ is a minimum value. If S₁ is exceeded, d₁ must be recalculated using angle a.