

ROTAFRIX®

# Friction Rings

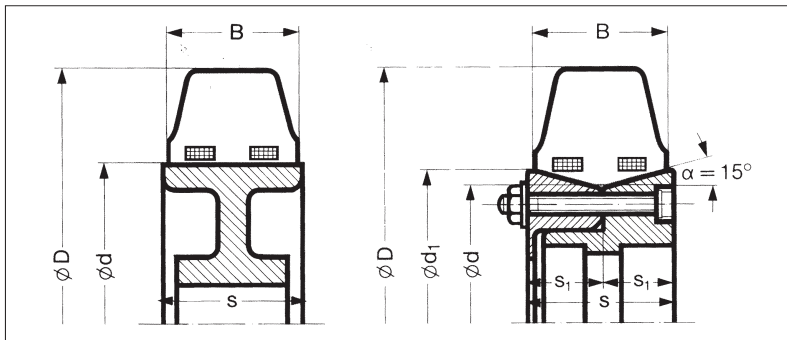


Fig. 4

ROTAFRIX®friction rings with hubs

## Friction Ring Product Range and Hub Dimensions (dimensions in mm)

Item number	Designation D/B-d Hub	Stock Goods		Hub Dimensions for Cylindrical Hubs with Number of Friction Rings					Hub Dimensions for Tapered Hubs				
		Finish		d	S <sub>min</sub>	S <sub>min</sub>	S <sub>min</sub>	S <sub>min</sub>	d	d <sub>1</sub> <sup>(1)</sup>	S <sub>min</sub>	a	S <sub>1</sub> <sup>(1)</sup>
		RM	RS										
3990441000	60/50-30 z		●	30	52								
3991441000	86/50-40 z		●	40	52								
3991641000	95/50-50 z		●	50	52								
3992641000	125/50-75 z	●		75	52	110							
3993241000	160/50-100 z	●		100	52	110							
3993231000	160/50-100 k	●						100	113.9	52	15°	26.0	
3994031000	200/50-140 z	●		140	52	110							
3994041000	200/50-140 z		●	140	52	110							
3999998600 <sup>(2)</sup>	200/50-140 k							140	153.9	52	15°	26.0	
3993441000	200/75-100 z		●	100	78	160							
3994441000	230/50-170 z		●	170	52	110							
3993931000	230/75-120 z	●		120	78	160							
3993941000	230/75-120 z		●	120	78	160							
3994331000	250/60-170 z	●		170	63	130	190						
3999998135 <sup>(2)</sup>	250/60-170 k	●						170	186.9	63	15°	31.5	
3999998636 <sup>(2)</sup>	250/60-170 k		●					170	186.9	63	15°	31.5	
3994231000	250/75-140 z	●		140	78	160	235						
3994241000	250/75-140 z		●	140	78	160	235						
3995031000	280/60-190 z	●		190	63	130	190						
3995041000	280/60-190 z		●	190	63	130	190						
3995431000	310/60-220 z	●		220	63	130	190						
3995441000	310/60-220 z		●	220	63	130	190						
3996421000	360/60-270 z	●		270	63	130	190						
3996431000	360/75-270 z	●		270	78	160	235						
3996631000	400/60-305 z	●		305	63	130	190						
3999998790 <sup>(2)</sup>	400/60-305 z		●	305	63	130	190						
3997631000	500/85-370 z	●		370	89	180	265	354					
3999998835 <sup>(2)</sup>	500/85-370 k							370	393.8	89	15°	44.5	
3997731000	560/100-410 z	●		410	104	210	312	416					
3997741000	560/100-410 z		●	410	104	210	312	416					
3999998310 <sup>(2)</sup>	750/75-640 z	●			640	78	160	235	312				
3997941000	750/75-640 z		●		640	78	160	235	312				
3999998315 <sup>(2)</sup>	1000/100-850 z	●			850	104	210	312	416				

<sup>(1)</sup> Diameter d<sub>1</sub> is calculated from angle a and hub width S<sub>1</sub>. Width S<sub>1</sub> is a minimum value. If S<sub>1</sub> is exceeded, d<sub>1</sub> must be recalculated using angle a.

<sup>(2)</sup> On request