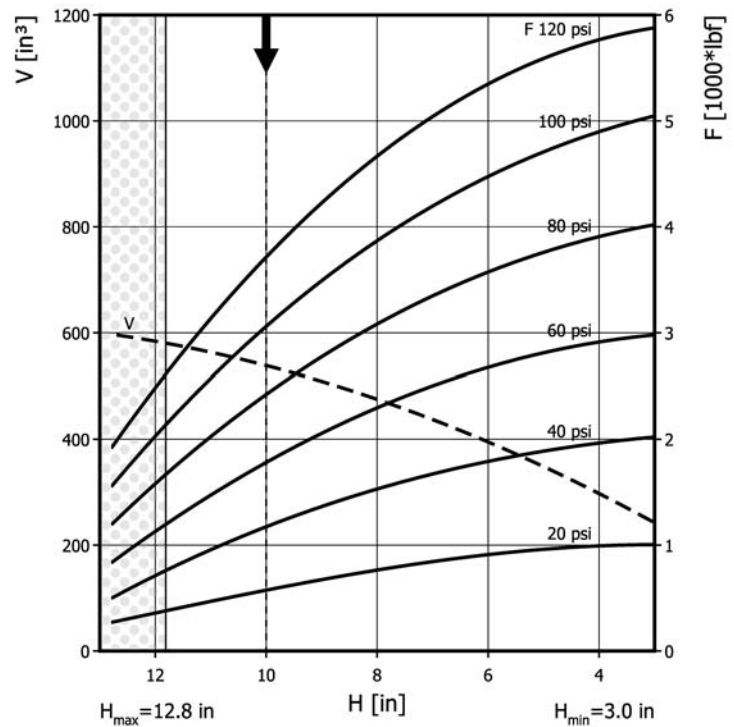
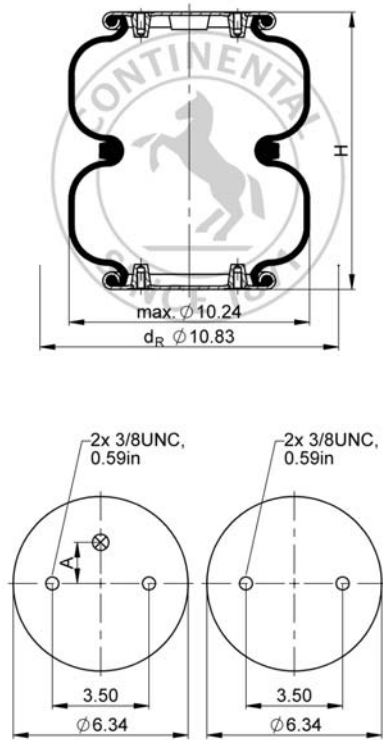


FD 200-25 CI

Double Convolution Air Actuator



Use in dotted range >1.80 in. only after consultation with ContiTech

Recommended height for vibration isolation: 10.00 in.

Purchase order data

Type	Order No.
Rubber bellows only	70715
with crimped plates, 1/4 NPT air inlet A = 1.75 in. excentrical	75310
with crimped plates A = 1.5 in. excentrical	75432

Additional types on request



Service instructions
3/8-16 UNC: max. 20 lbf ft
1/4 NPT: max. 20 lbf ft

Technical data

Min. pressure	0 psi
Return force to min height	≤ 56 lbf
Overall weight	7.7 lb

Vibration isolation - dynamic characteristic values

Design height H: recommended 10 inch, minimum 9.06 inch

Pressure p [psi]	40	60	80	100	120	Vol. V [in ³]
Force (Load) [lbf]	1230	1890	2540	3190	3840	538
Spring rate [lbf/in.]	389	552	741	932	1080	
Natural frequency [Hz]	1.8	1.8	1.7	1.7	1.7	

Pneumatic application - static characteristic values

Pressure p [psi]	40	60	80	100	120	Vol. V [in ³]	
Height H [in.]	11.0	948	1470	2000	2550	3110	560
	10.0	1180	1780	2430	3060	3720	540
	9.0	1370	2070	2780	3510	4240	510
	8.0	1530	2280	3070	3850	4640	470
	7.0	1670	2490	3340	4200	5030	440
	6.0	1790	2680	3570	4470	5360	400
	5.0	1880	2800	3750	4700	5570	350
	4.0	1960	2910	3910	4900	5750	300