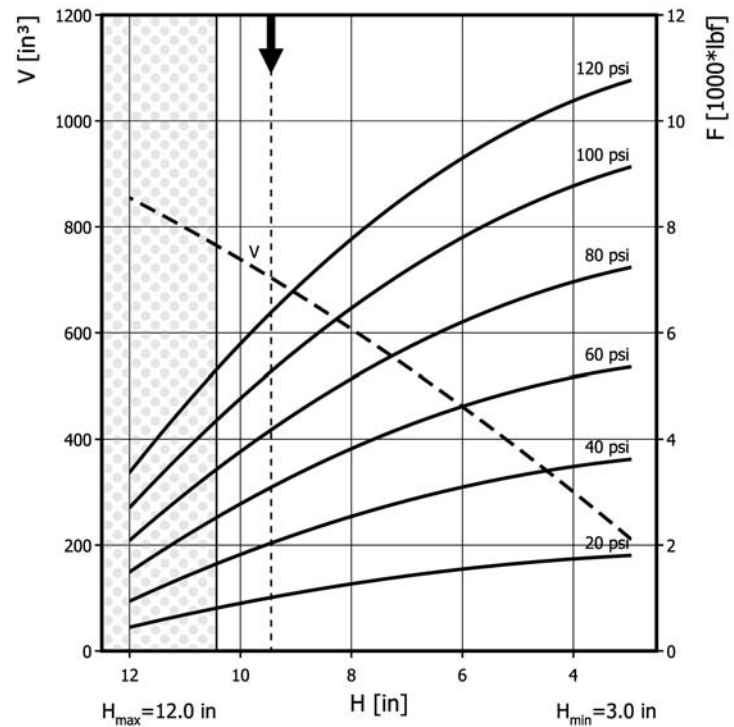
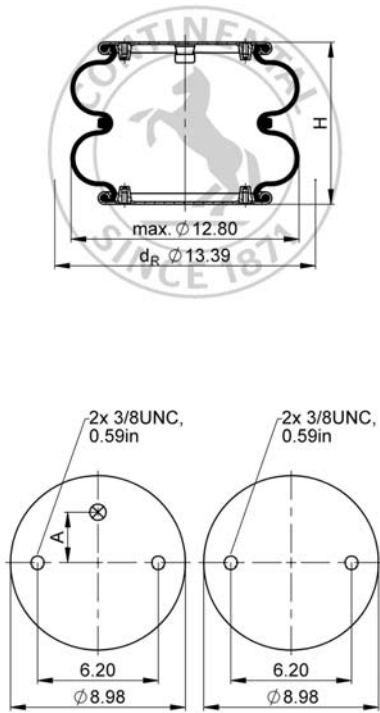


FD 330-22 CI

Double Convolution Air Actuator



Use in dotted range >10.40 in. only after consultation with ContiTech

Recommended height for vibration isolation: 9.45 in.

Purchase order data

Type	Order No.
Rubber bellows only	65196
with crimped plates, 1/4 NPT air inlet A = 2.87 in. excentrical	74186
with crimped plates, 3/4 NPT air inlet A = 2.87 in. excentrical	63561

Additional types on request



Service instructions

3/8-16 UNC: max. 20 lbf ft

1/4 NPT: max. 20 lbf ft

3/4 NPT: max. 40 lbf ft

Technical data

Min. pressure	0 psi
Return force to min height	≤ 6.7 lbf
Overall weight	10.6 lb

Vibration isolation - dynamic characteristic values

Design height H: recommended 9.45 inch, minimum 8.66 inch

Pressure p [psi]	40	60	80	100	120	Vol. V [in ³]
Force (Load) [lbf]	2070	3090	4210	5340	6420	714
Spring rate [lbf/in.]	865	1110	1350	1600	1840	
Natural frequency [Hz]	2.0	1.9	1.8	1.7	1.7	

Pneumatic application - static characteristic values

Force F [lbf]

Pressure p [psi]	40	60	80	100	120	Vol. V [in ³]	
Height H [in.]	10.5	1620	2460	3360	4280	5200	770
	9.0	2220	3340	4510	5700	6850	680
	7.5	2690	4040	5420	6800	8150	570
	6.0	3070	4610	6190	7770	9280	450
	4.5	3390	5030	6780	8560	10200	340