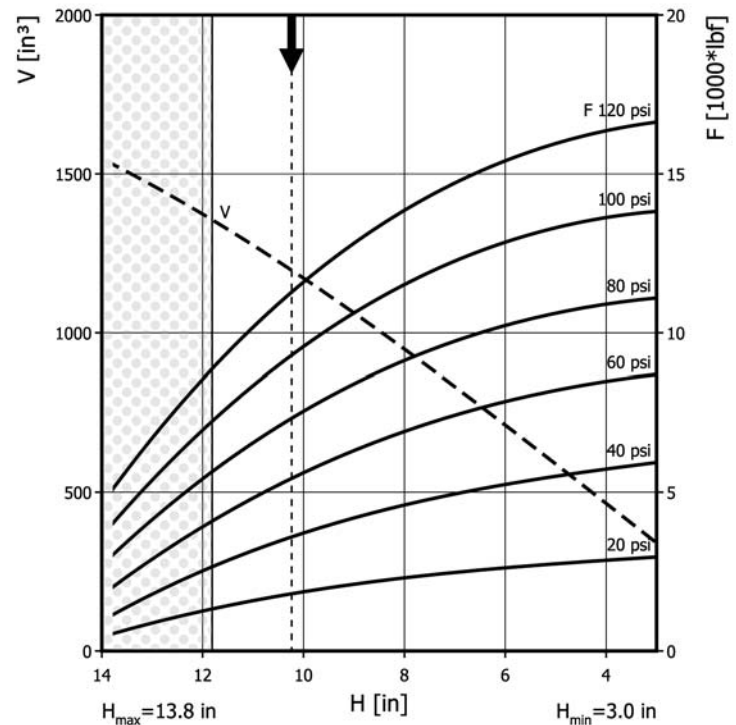
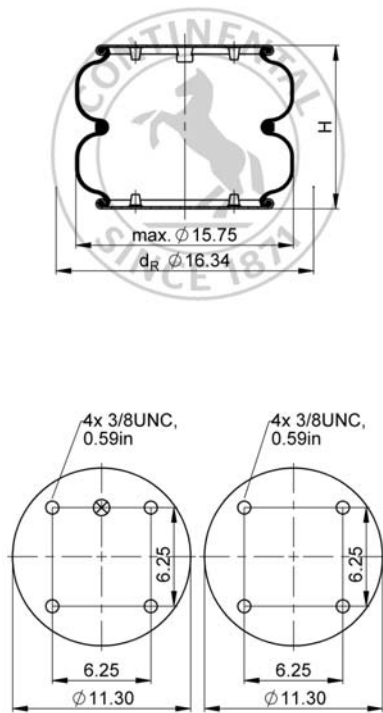


## FD 530-30 CI

## Double Convolution Air Actuator



Use in dotted range >11.80 in. only after consultation with ContiTech

Recommended height for vibration isolation: 10.20 in.

## Purchase order data

Type	Order No.
Rubber bellows only	70717
with crimped plates, 1/4 NPT air inlet A = 3.13 in. excentrical	76042
with crimped plates, 3/4 NPT air inlet A = 3.13 in. excentrical	64676

Additional types on request



Service instructions  
 3/8-16 UNC: max. 20 lbf ft  
 1/4 NPT: max. 20 lbf ft  
 3/4 NPT: max. 40 lbf ft

## Technical data

Min. pressure	0 psi
Return force to min height	≤ 90 lbf
Overall weight	16.1 lb

**Vibration isolation - dynamic characteristic values**

Design height H: recommended 10.2 inch, minimum 9.65 inch

Pressure p [psi]	40	60	80	100	120	Vol. V [in <sup>3</sup> ]
Force (Load) [lbf]	3560	5440	7350	9360	11200	
Spring rate [lbf/in.]	1010	1380	1790	2170	2630	
Natural frequency [Hz]	1.6	1.6	1.5	1.5	1.5	

**Pneumatic application - static characteristic values**

Pressure p [psi]	40	60	80	100	120	Vol. V [in <sup>3</sup> ]	
Force F [lbf]	3560	5440	7350	9360	11200		1400
Height H [in.]	12.0	2550	3920	5400	6960	8660	
	10.5	3440	5230	7070	9010	10800	
	9.0	4160	6280	8390	10600	12700	
	7.5	4750	7160	9420	11900	14300	
	6.0	5250	7840	10200	12900	15400	
4.5	5650	8370	10800	13500	16200		