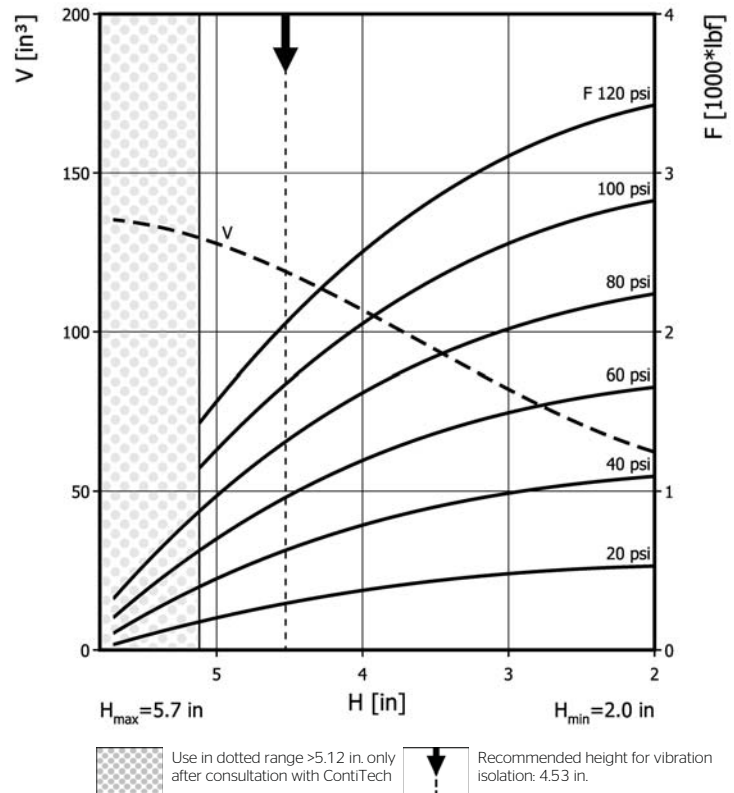
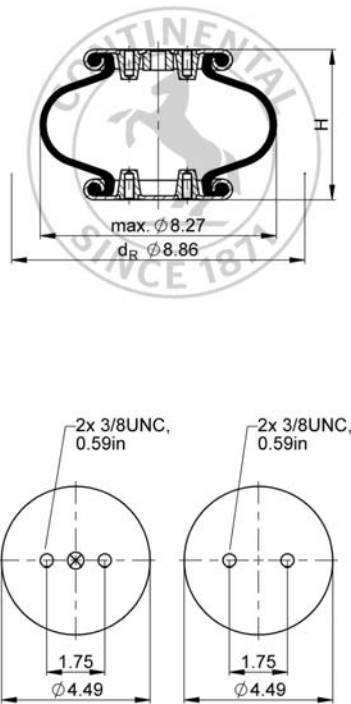


FS 100-10 CI

Single Convolution Air Actuator



Purchase order data

Type	Order No.
Rubber bellows only	63457
with crimped plates, 1/4 NPT air inlet A = 0 in. excentrical	65529

Additional types on request



Service instructions
3/8-16 UNC: max. 20 lbf ft
1/4 NPT: max. 20 lbf ft

Technical data

Min. pressure	0 psi
Return force to min height	≤ 9 lbf
Overall weight	3.1 lb

Vibration isolation - dynamic characteristic values

Design height H: recommended 4.53 inch, minimum 3.94 inch

Pressure p [psi]	40	60	80	100	120	Vol. V [in ³]
Force (Load) [lbf]	632	1000	1340	1680	2050	118
Spring rate [lbf/in.]	525	747	976	1200	1420	
Natural frequency [Hz]	2.8	2.7	2.7	2.6	2.6	

Pneumatic application - static characteristic values

Force F [lbf]

Pressure p [psi]	40	60	80	100	120	Vol. V [in ³]	
Height H [in.]	5.0	448	698	968	1250	1560	130
	4.5	632	969	1320	1690	2080	120
	4.0	786	1190	1620	2050	2500	110
	3.5	896	1360	1840	2320	2830	95
	3.0	987	1490	2020	2550	3100	82