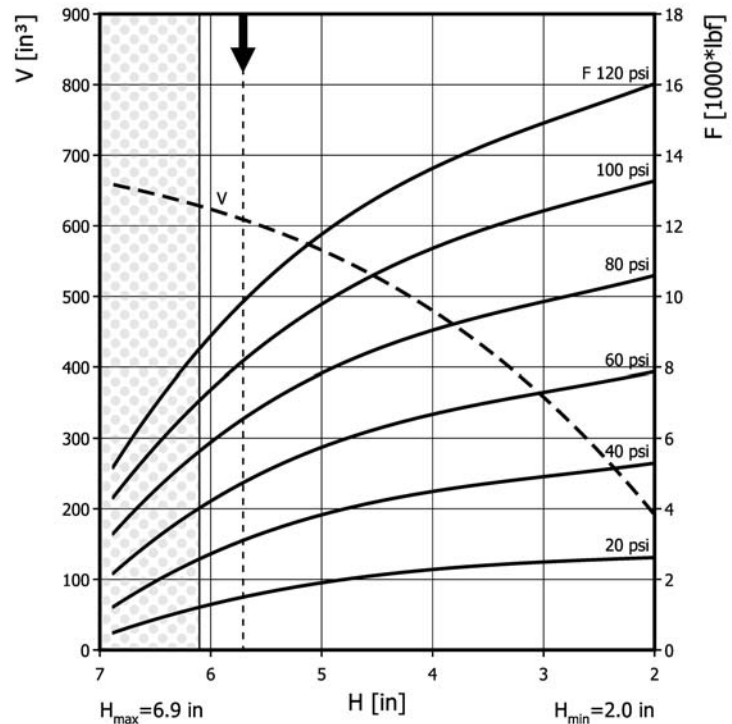
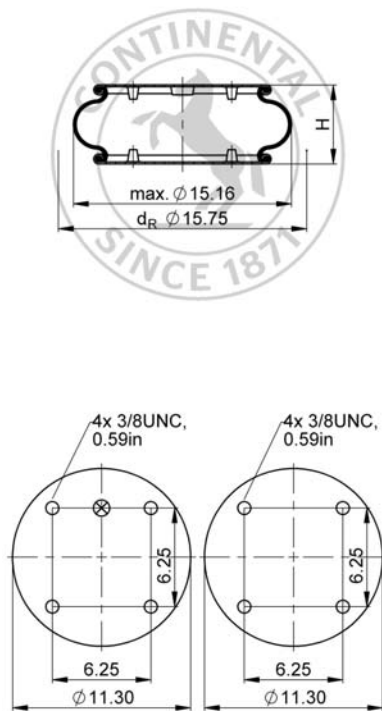


## FS 530-11 CI

## Single Convolution Air Actuator



Use in dotted range &gt;6.10 in. only after consultation with ContiTech



Recommended height for vibration isolation: 5.71 in.

## Purchase order data

Type	Order No.
	76106
with crimped plates, 1/4 NPT air inlet A = 3.13 in. excentrical	63540
with crimped plates, 3/4 NPT air inlet A = 3.13 in. excentrical	74094

Additional types on request

## Technical data

Min. pressure	0 psi
Return force to min height	≤ 67 lbf
Overall weight	13 lb

**Vibration isolation - dynamic characteristic values**

Design height H: recommended 5.71 inch, minimum 4.33 inch

Pressure p [psi]	40	60	80	100	120	Vol. V [in <sup>3</sup> ]
Force (Load) [lbf]	3150	4720	6550	8170	9810	607
Spring rate [lbf/in.]	2120	2940	3770	4580	5380	
Natural frequency [Hz]	2.6	2.5	2.4	2.3	2.3	

**Pneumatic application - static characteristic values**

Force F [lbf]

Pressure p [psi]	40	60	80	100	120	Vol. V [in <sup>3</sup> ]	
Height H [in.]	6.0	2770	4270	6000	7450	8970	620
	5.5	3310	5010	6930	8640	10400	600
	5.0	3780	5690	7720	9690	11700	560
	4.5	4180	6240	8430	10600	12700	530
	4.0	4460	6640	8990	11300	13600	480
	3.5	4740	7020	9520	12000	14400	430
	3.0	4930	7330	9930	12500	15000	360



Service instructions  
 3/8-16 UNC: max. 20 lbf ft  
 1/4 NPT: max. 20 lbf ft  
 3/4 NPT: max. 40 lbf ft