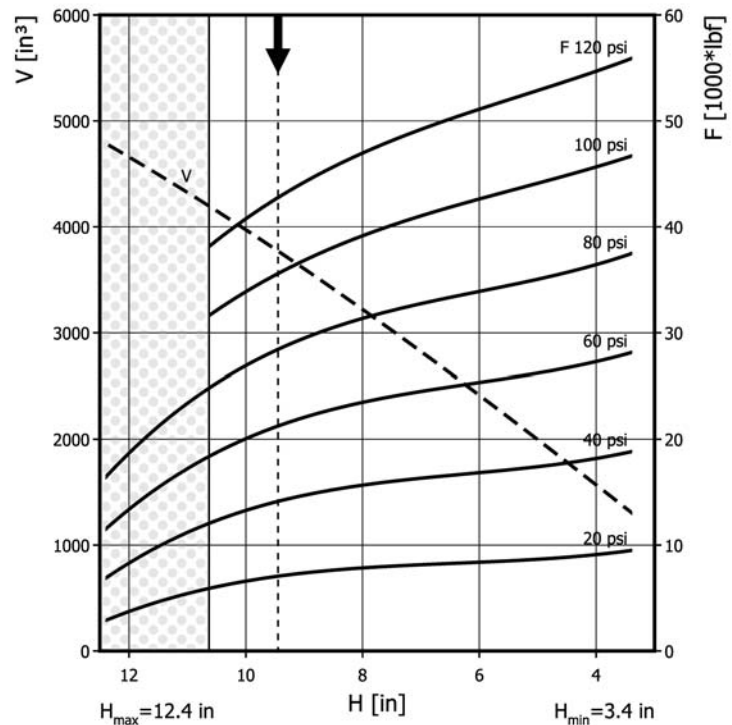
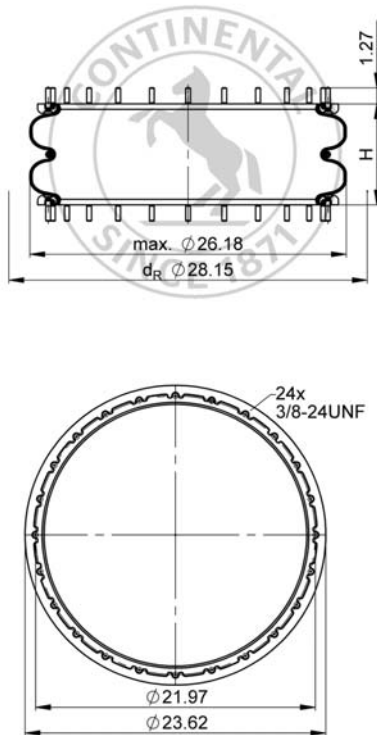


FD 2380-24 RS Double Convolution Air Actuator



Use in dotted range >10.60 in. only after consultation with ContiTech

Recommended height for vibration isolation: 9.45 in.

Purchase order data

Type	Order No.
Rubber bellows only	61781
WR SMS48	73064

Additional types on request

Technical data

Min. pressure	0 psi
Return force to min height	≤ 100 lbf
Overall weight	31.1 lb

Vibration isolation - dynamic characteristic values

Design height H: recommended 9.45 inch, minimum 8.66 inch

Pressure p	[psi]	40	60	80	100	120	Vol. V [in ³]
Force (Load)	[lbf]	14400	21100	28500	35700	43400	3760
Spring rate	[lbf/in.]	3870	5330	6900	8400	10000	
Natural frequency	[Hz]	1.6	1.6	1.5	1.5	1.5	

Pneumatic application - static characteristic values

Force F [lbf]	Pressure p	[psi]	40	60	80	100	120	Vol. V [in ³]
Height H [in.]	10.0	13300	20000	26900	33800	40800	4000	
	9.0	14500	21800	29200	36700	44200	3600	
	8.0	15400	23200	31000	39300	46800	3200	
	7.0	16200	24500	32700	41000	49200	2800	
	6.0	17000	25500	34000	42600	51200	2400	
	5.0	17600	26400	35200	44100	52800	2000	



Service instructions
 3/8-24 UNF: max. 30 lbf ft