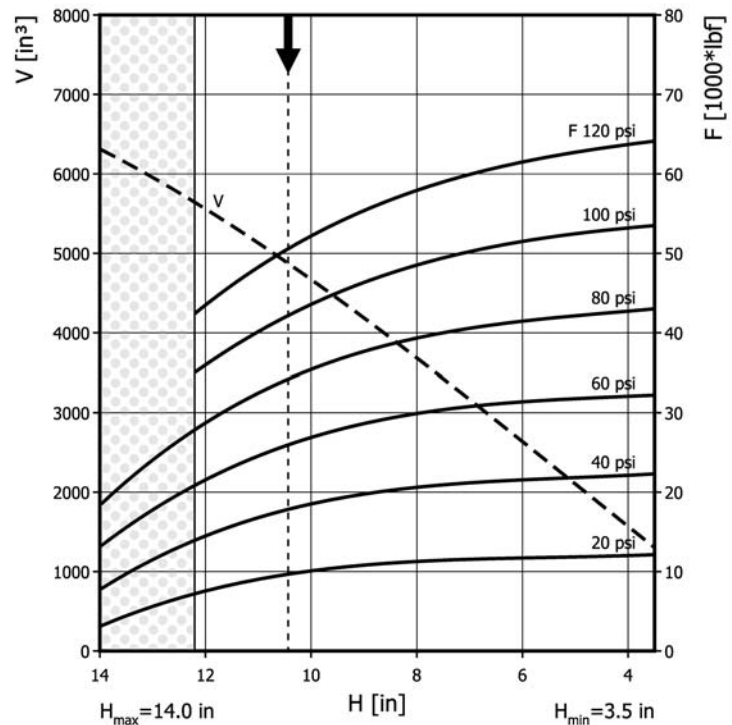
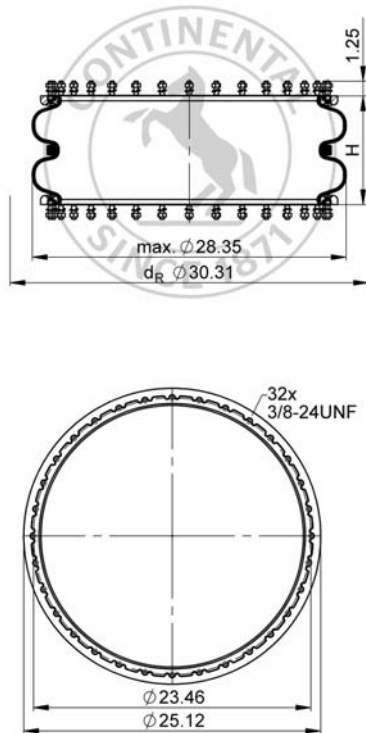


FD 2870-30 RS Double Convolution Air Actuator



Use in dotted range >12.20 in. only after consultation with ContiTech

Recommended height for vibration isolation: 10.40 in.

Purchase order data

Type	Order No.
Rubber bellows only	61789
WR SMS48	62271

Additional types on request

Technical data

Min. pressure	0 psi
Return force to min height	≤ 157 lbf
Overall weight	34 lb

Vibration isolation - dynamic characteristic values

Design height H: recommended 10.4 inch, minimum 9.65 inch

Pressure p [psi]	40	60	80	100	120	Vol. V [in ³]
Force (Load) [lbf]	17600	26300	34300	42200	50600	4850
Spring rate [lbf/in.]	4120	5780	7350	8770	10400	
Natural frequency [Hz]	1.5	1.5	1.5	1.4	1.4	

Pneumatic application - static characteristic values

Pressure p [psi]	40	60	80	100	120	Vol. V [in ³]	
Force F [lbf]							
Height H [in.]	10.5	17600	25800	34000	42000	50500	4900
	9.0	19400	28200	37200	46100	55200	4200
	7.5	20800	30300	39900	49300	59000	3400
	6.0	21700	31500	41600	51400	61400	2700
	4.5	22100	32100	42600	52900	63200	1800



Service instructions
3/8-24 UNF: max. 30 lbf ft