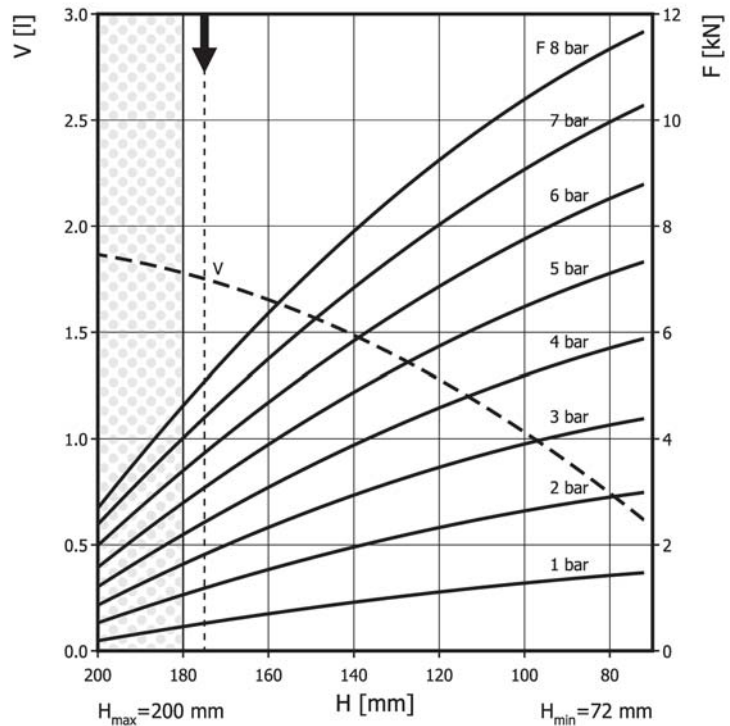
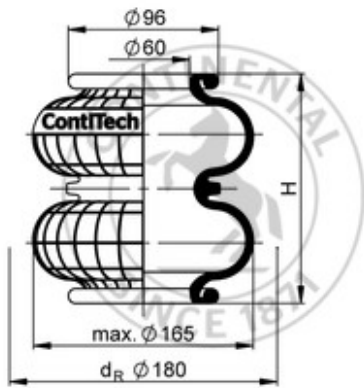


FD 70-13 CI ECO² Double Convolution Air Actuator



Service instructions
M8: max. 25 Nm
G1/4: max. 25 Nm

Use in dotted range >180 mm only after consultation with ContiTech

Recommended height for vibration isolation: 175 mm

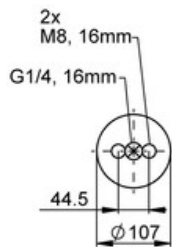
Purchase order data

Type	Order No.
Rubber bellows only	-
with stainless steel clamped plates, G1/4 air inlet	77275

Technical data

Min. pressure	0 bar
Return force to min height	≤ 200 N
Overall weight with clamped plates	1.5 kg

Top Plate



Bottom Plate

