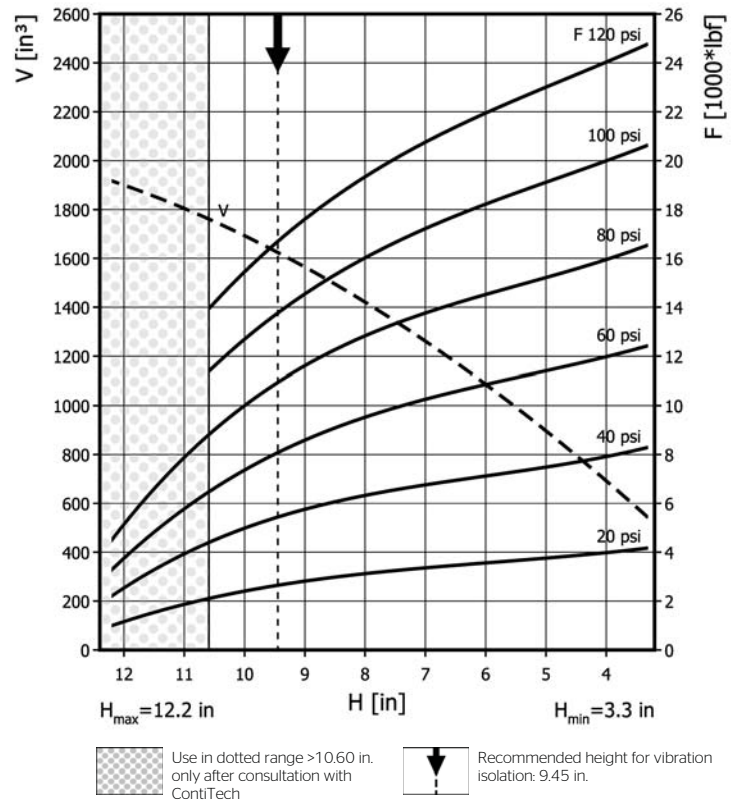
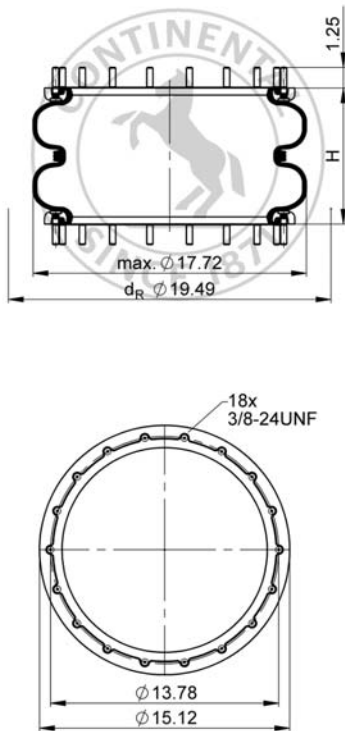


## FD 960-22 RS

## Double Convolution Air Actuator



## Purchase order data

Type	Order No.
Rubber bellows only	61776
WR SMS48	65890

Additional types on request

## Technical data

Min. pressure	0 psi
Return force to min height	≤ 45 lbf
Overall weight	19 lb

## Vibration isolation - dynamic characteristic values

Design height H: recommended 9.45 inch, minimum 8.66 inch

Pressure p	[psi]	40	60	80	100	120	Vol. V [in <sup>3</sup> ]
Force (Load)	[lbf]	5740	8230	11300	14000	16600	1620
Spring rate	[lbf/in.]	1670	2290	2970	3640	4310	
Natural frequency	[Hz]	1.7	1.7	1.6	1.6	1.6	

## Pneumatic application - static characteristic values

Force F [lbf]

Pressure p	[psi]	40	60	80	100	120	Vol. V [in <sup>3</sup> ]
Height H [in.]	9.0	5710	8560	11600	14500	17600	1600
	8.0	6300	9440	12800	16000	19400	1400
	7.0	6690	10200	13700	17200	20700	1300
	6.0	7130	10800	14500	18200	21900	1100
	5.0	7570	11400	15200	19100	23000	900
	4.0	7960	12100	16000	20000	24100	690


 Service instructions  
 3/8-24 UNF: max. 30 lbf ft