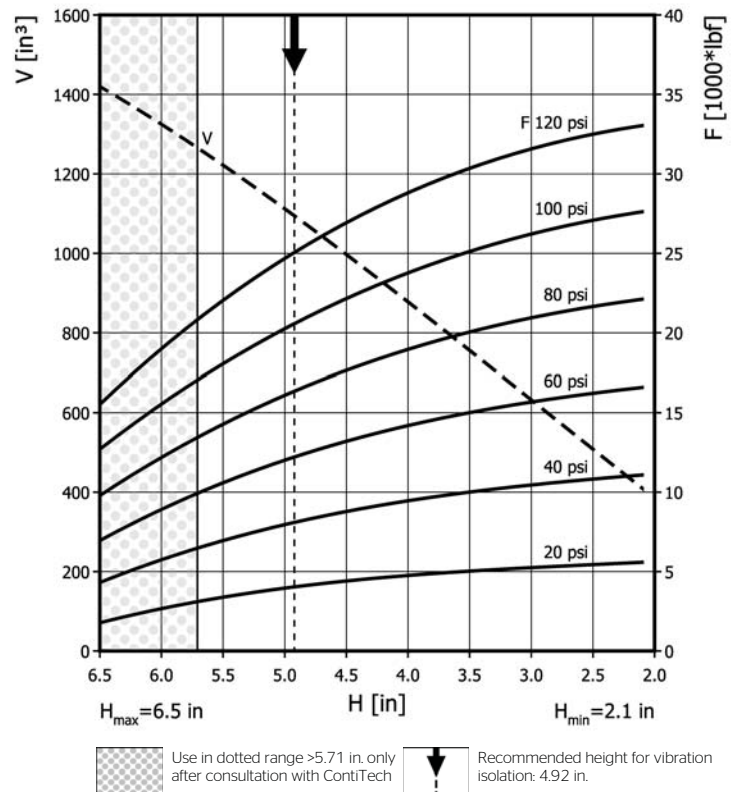
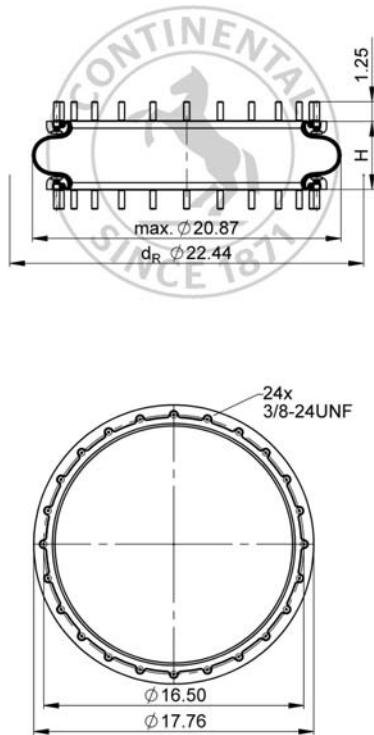


FS 1330-11 RS

Single Convolution Air Actuator



Purchase order data

Type	Order No.
Rubber bellows only	61778
WR SMS48	75381

Additional types on request

Technical data

Min. pressure	0 psi
Return force to min height	≤ 20 lbf
Overall weight	16.1 lb

Vibration isolation - dynamic characteristic values

Design height H: recommended 4.92 inch, minimum 4.13 inch

Pressure p [psi]	40	60	80	100	120	Vol. V [in ³]
Force (Load) [lbf]	8030	12100	16300	20500	25100	
Spring rate [lbf/in.]	4310	6190	8010	9940	11700	
Natural frequency [Hz]	2.3	2.2	2.2	2.2	2.2	

Pneumatic application - static characteristic values

Pressure p [psi]	40	60	80	100	120	Vol. V [in ³]	
Force F [lbf]							
Height H [in.]	5.5	7050	10700	14400	18200	22000	1200
	5.0	7910	11900	16000	20200	24600	1100
	4.5	8650	13000	17400	21900	27100	990
	4.0	9410	14100	18900	23700	28600	870
	3.5	10100	15100	20100	25200	30300	770
	3.0	10500	15800	21000	26300	31600	630


 Service instructions
 3/8-24 UNF: max. 30 lbf ft