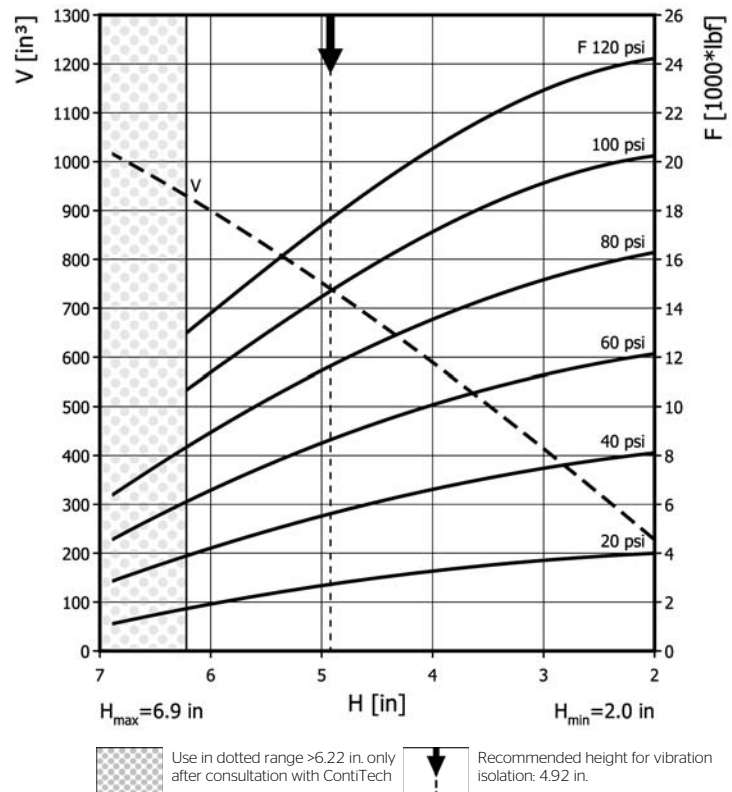
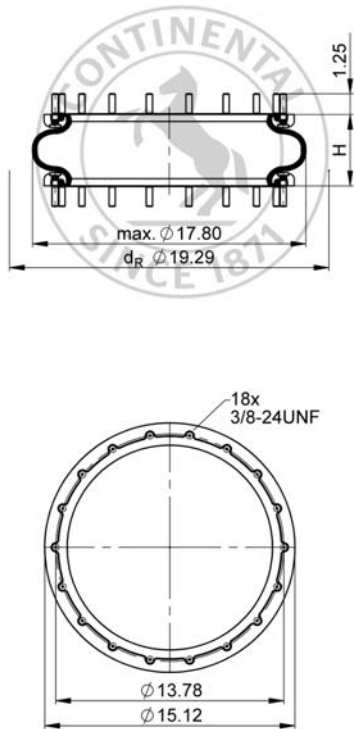


## FS 960-12 RS

## Single Convolution Air Actuator



## Purchase order data

Type	Order No.
Rubber bellows only	61775
WR SMS48	62977

Additional types on request

## Technical data

Min. pressure	0 psi
Return force to min height	≤ 90 lbf
Overall weight	11 lb

## Vibration isolation - dynamic characteristic values

Design height H: recommended 4.92 inch, minimum 4.33 inch

Pressure p [psi]	40	60	80	100	120	Vol. V [in <sup>3</sup> ]
Force (Load) [lbf]	5900	9040	12100	15100	18200	
Spring rate [lbf/in.]	3160	4500	5790	7180	8570	
Natural frequency [Hz]	2.3	2.2	2.2	2.2	2.1	

## Pneumatic application - static characteristic values

Pressure p [psi]	40	60	80	100	120	Vol. V [in <sup>3</sup> ]	
Height H [in.]	6.0	4220	6590	8960	11400		13800
	5.0	5570	8490	11500	14500	17400	750
	4.0	6540	10000	13500	17000	20500	590
	3.0	7530	11300	15200	19200	23000	410


 Service instructions  
 3/8-24 UNF: max. 30 lbf ft