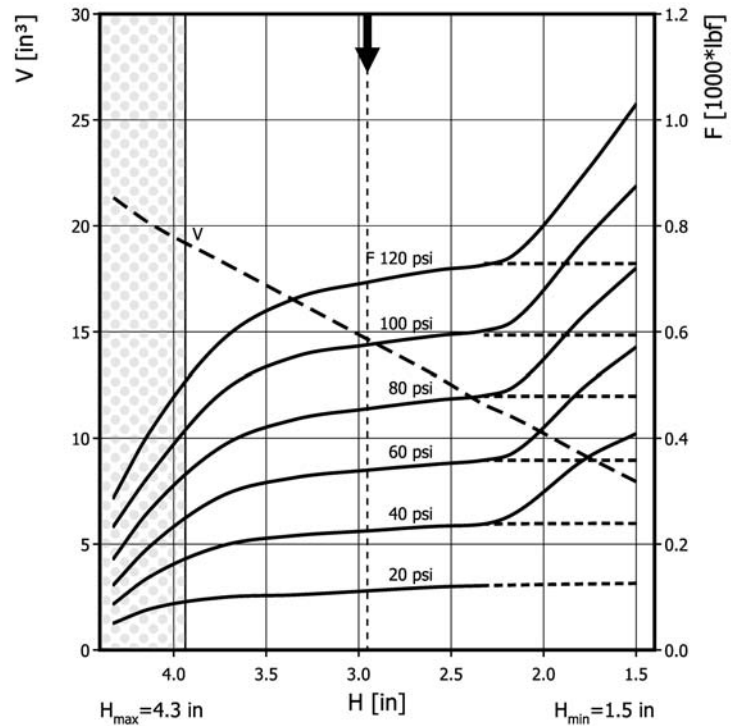
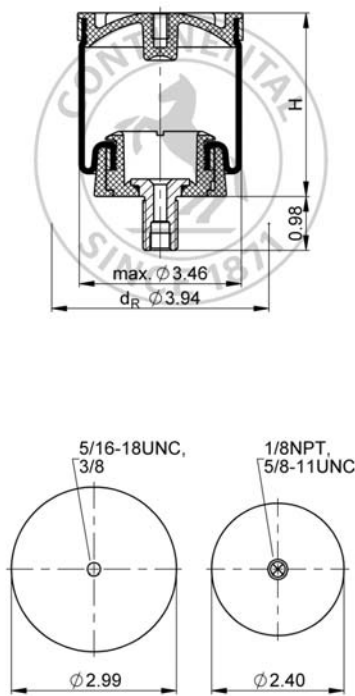


## SK 37-8 P02

## Sleeve Type Air Actuator



Use in dotted range &gt;3.94 in. only after consultation with ContiTech



Recommended height for vibration isolation: 2.95 in.

## Purchase order data

Type	Order No.
with brass stud A = 0 in. excentrical	74325

Additional types on request

## Technical data

Min. pressure	0 psi
Return force to min height	≤ 34 lbf
Overall weight	0.7 lb

## Vibration isolation - dynamic characteristic values

Design height H: recommended 2.95 inch, guidance in lateral direction required

Pressure p [psi]	40	60	80	100	120	Vol. V [in <sup>3</sup> ]
Force (Load) [lbf]	226	346	451	575	699	14.6
Spring rate [lbf/in.]	162	218	266	312	361	
Natural frequency [Hz]	2.6	2.6	2.5	2.4	2.3	

## Pneumatic application - static characteristic values

Force F [lbf]

Pressure p [psi]	40	60	80	100	120	Vol. V [in <sup>3</sup> ]	
Height H [in.]	3.5	208	312	415	527	631	17
	3.0	224	338	453	573	690	15
	2.5	235	353	474	595	719	13



Service instructions

5/16-18 UNC. max. 4 lbf ft

5/8-11 UNC. max. 10 lbf ft