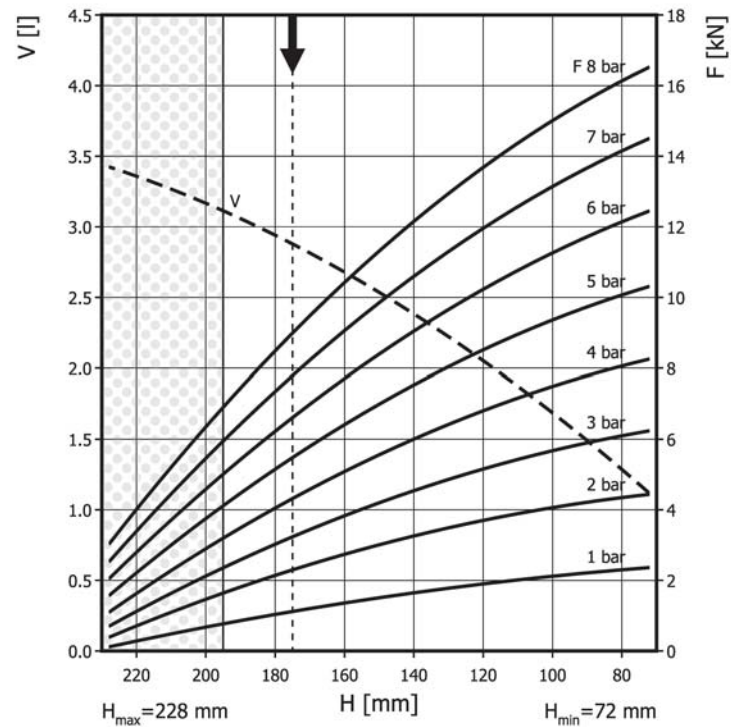
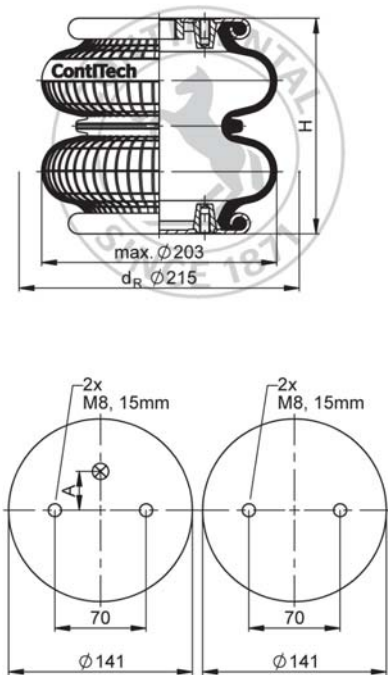


## FD 110-15 CI

## Double Convolution Air Actuator



Use in dotted range &gt;195 mm only after consultation with ContiTech



Recommended height for vibration isolation: 175 mm

## Purchase order data

|  |           |
|--|-----------|
| Type   | Order No. |
| Rubber bellows only  | 61193     |
| Stainless steel with crimped plates, G3/4 air inlet 0 mm excentrical | 74171     |

Additional types on request


 Service instructions  
M8: max. 25 Nm  
G3/4: max. 50 Nm

## Technical data

|                            |         |
|----------------------------|---------|
| Min. pressure              | 0 bar   |
| Return force to min height | ≤ 200 N |
| Overall weight             | 2.1 kg  |

## Vibration isolation - dynamic characteristic values

Design height H: recommended 175mm, minimum 155mm

| Pressure p [bar]       | 3    | 4   | 5   | 6   | 7   | 8     | Vol. V [l] |
|------------------------|------|-----|-----|-----|-----|-------|------------|
| Force (Load) [kN]      | 3.3  | 4.5 | 5.6 | 6.8 | 8   | 9.2   |            |
| Spring rate [N/mm]     | 67.5 | 89  | 111 | 130 | 147 | 167.5 |            |
| Natural frequency [Hz] | 2.3  | 2.2 | 2.2 | 2.2 | 2.1 | 2.1   |            |

## Pneumatic application - static characteristic values

Force F [kN]

| Pressure p [bar] | 3   | 4    | 5    | 6    | 7    | 8    | Vol. V [l] |      |
|------------------|-----|------|------|------|------|------|------------|------|
| Height H [mm]    | 180 | 3.11 | 4.12 | 5.21 | 6.31 | 7.42 |            | 8.55 |
|                  | 160 | 3.85 | 5.12 | 6.46 | 7.79 | 9.12 | 10.5       | 2.7  |
|                  | 140 | 4.53 | 6    | 7.52 | 9.04 | 10.6 | 12.2       | 2.4  |
|                  | 120 | 5.04 | 6.7  | 8.42 | 10.1 | 11.8 | 13.6       | 2    |
|                  | 100 | 5.63 | 7.44 | 9.34 | 11.2 | 13.1 | 15         | 1.7  |
|                  | 80  | 6.11 | 8.09 | 10.1 | 12.2 | 14.2 | 16.2       | 1.3  |